

DATA SHEET

SAA2502 ISO/MPEG Audio Source Decoder

Preliminary specification
File under Integrated Circuits, IC01

1997 Apr 18

ISO/MPEG Audio Source Decoder**SAA2502**

CONTENTS	9	LIMITING VALUES
1	10	DC CHARACTERISTICS
2	11	AC CHARACTERISTICS
3	11.1	Host interface: CDATA, CCLK and CMODE
4	12	APPLICATION INFORMATION
5	13	PACKAGE OUTLINE
6	14	SOLDERING
7	14.1	Introduction
7.1	14.2	Reflow soldering
7.2	14.3	Wave soldering
7.2.1	14.4	Repairing soldered joints
7.2.2	15	DEFINITIONS
7.2.3	16	LIFE SUPPORT APPLICATIONS
7.2.4		
7.3		
7.3.1		
7.3.2		
7.3.3		
7.4		
7.4.1		
7.4.2		
7.4.3		
7.4.4		
7.4.5		
7.4.6		
7.4.7		
7.4.8		
7.4.9		
7.5		
7.5.1		
7.5.2		
7.5.3		
7.6		
7.6.1		
7.6.2		
7.6.3		
7.6.4		
7.6.5		
7.6.6		
8		
8.1		
8.1.1		
8.1.2		
8.1.3		
8.1.4		

ISO/MPEG Audio Source Decoder

SAA2502

1 FEATURES

- Low sampling frequency decoding possibilities (24 kHz, 22.05 kHz and 16 kHz) of MPEG2 are supported
- A variety of output formats are supported: I²S, SPDIF and 256 or more times oversampled bit serial analog stereo
- Automatic internal dynamic range compression algorithm using programmable compression parameters
- Non byte-aligned coded input data is handled
- Built-in provisions to generate high quality sampling clocks for all six supported sampling frequencies; these sampling clocks may be locked to an external PLL to support an extensive list of input data reference clock frequencies
- Bit-rate and sampling-rate settings may be overruled by the microcontroller while the SAA2502 is trying to establish frame synchronization
- Input interface mode which requests data based on input buffer content, enables the handling of variable bit-rate input streams and input data offered in (fixed length) bursts
- An interrupt output pin which can generate interrupt requests at the occurrence of various events; consequently polling by the microcontroller is not needed in most situations
- I²C and the I²C-bus microcontroller interface protocols are supported
- The control interface is always fully operational (also while STOP is asserted)
- CRC protection of scale factors is provided for all supported sample frequencies.

2 APPLICATIONS

- Astra Digital Radio (ADR)
- Digital Audio Broadcast (DAB)
- Digital Versatile Disc (DVD)
- Digital Video Broadcast (DVB)
- General purpose MPEG2 audio decoding.

3 GENERAL DESCRIPTION

The SAA2502 is a second generation ISO/MPEG audio source decoder. The device specification has been enhanced with respect to the SAA2500 and SAA2501 ICs and therefore it offers in principle all features of its predecessors.

It supports layer I and II of MPEG1 and the MPEG2 requirements for a stereo decoder.

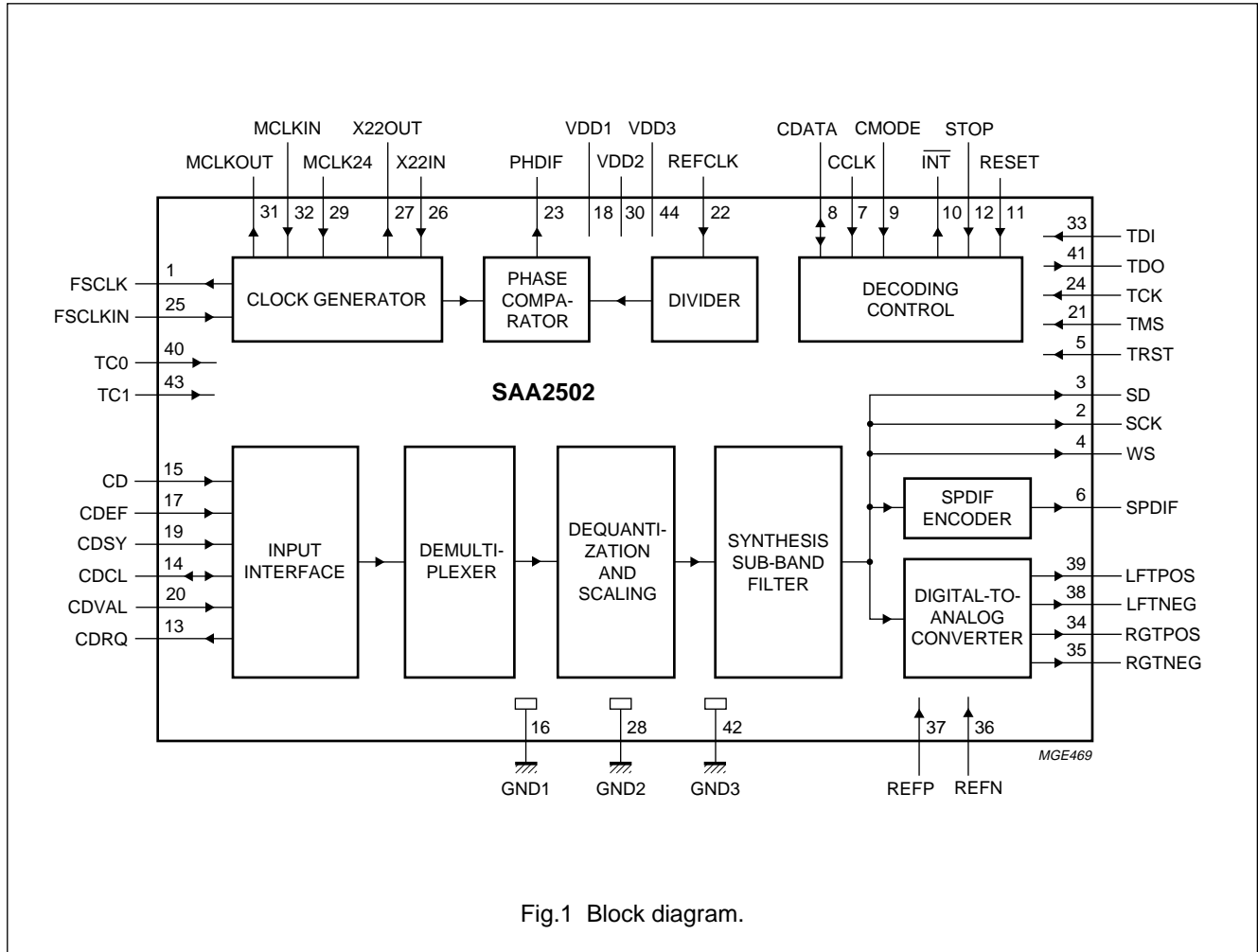
4 ORDERING INFORMATION

TYPE NUMBER	PACKAGE		
	NAME	DESCRIPTION	VERSION
SAA2502H	QFP44	plastic quad flat package; 44 leads (lead length 1.3 mm); body 10 × 10 × 1.75 mm	SOT307-2

ISO/MPEG Audio Source Decoder

SAA2502

5 BLOCK DIAGRAM



ISO/MPEG Audio Source Decoder

SAA2502

6 PINNING

SYMBOL	PIN	DESCRIPTION
FSCLK	1	sample rate clock output; buffered signal
SCK	2	baseband audio data I ² S clock output
SD	3	baseband audio I ² S data output
WS	4	baseband audio data I ² S word select output
TRST	5	boundary scan test reset input
SPDIF	6	SPDIF baseband audio output
CCLK	7	L3 clock/I ² C-bus bit clock input
CDATA	8	L3 data/I ² C-bus serial data input/output; note 1
CMODE	9	L3 mode (address/data select input)
$\overline{\text{INT}}$	10	interrupt request output; active LOW; note 1
RESET	11	master reset input
STOP	12	soft reset/stop decoding input
CDRQ	13	coded data request output
CDCL	14	coded data bit clock input/output; note 2
CD	15	MPEG coded data input
GND1	16	ground 1
CDEF	17	coded data error flag input
V _{DD1}	18	supply voltage 1
CDSY	19	coded data byte or frame sync input
CDVAL	20	coded data valid flag input
TMS	21	boundary scan test mode select input
REFCLK	22	PLL reference clock input
PHDIF	23	PLL phase comparator output; note 2
TCK	24	boundary scan test clock input
FSCLKIN	25	sample rate clock input
X22IN	26	22.579 MHz clock oscillator input or signal input
X22OUT	27	22.579 MHz clock oscillator output
GND2	28	ground 2
MCLK24	29	master clock frequency indication input
V _{DD2}	30	supply voltage 2
MCLKOUT	31	master clock oscillator output
MCLKIN	32	master clock oscillator input or signal input
TDI	33	boundary scan test data input
RGTPOS	34	analog right channel positive output
RGTNEG	35	analog right channel negative output
REFN	36	low reference voltage input for analog outputs
REFP	37	high reference voltage input for analog outputs
LFTNEG	38	analog left channel negative output
LFTPOS	39	analog left channel positive output
TC0	40	factory test scan chain control 0 input

ISO/MPEG Audio Source Decoder

SAA2502

SYMBOL	PIN	DESCRIPTION
TDO	41	boundary scan test data output
GND3	42	ground 3
TC1	43	factory test scan chain control 1 input
V _{DD3}	44	supply voltage 3

Notes

1. Output type is: open-drain.
2. Output type is: 3-state.

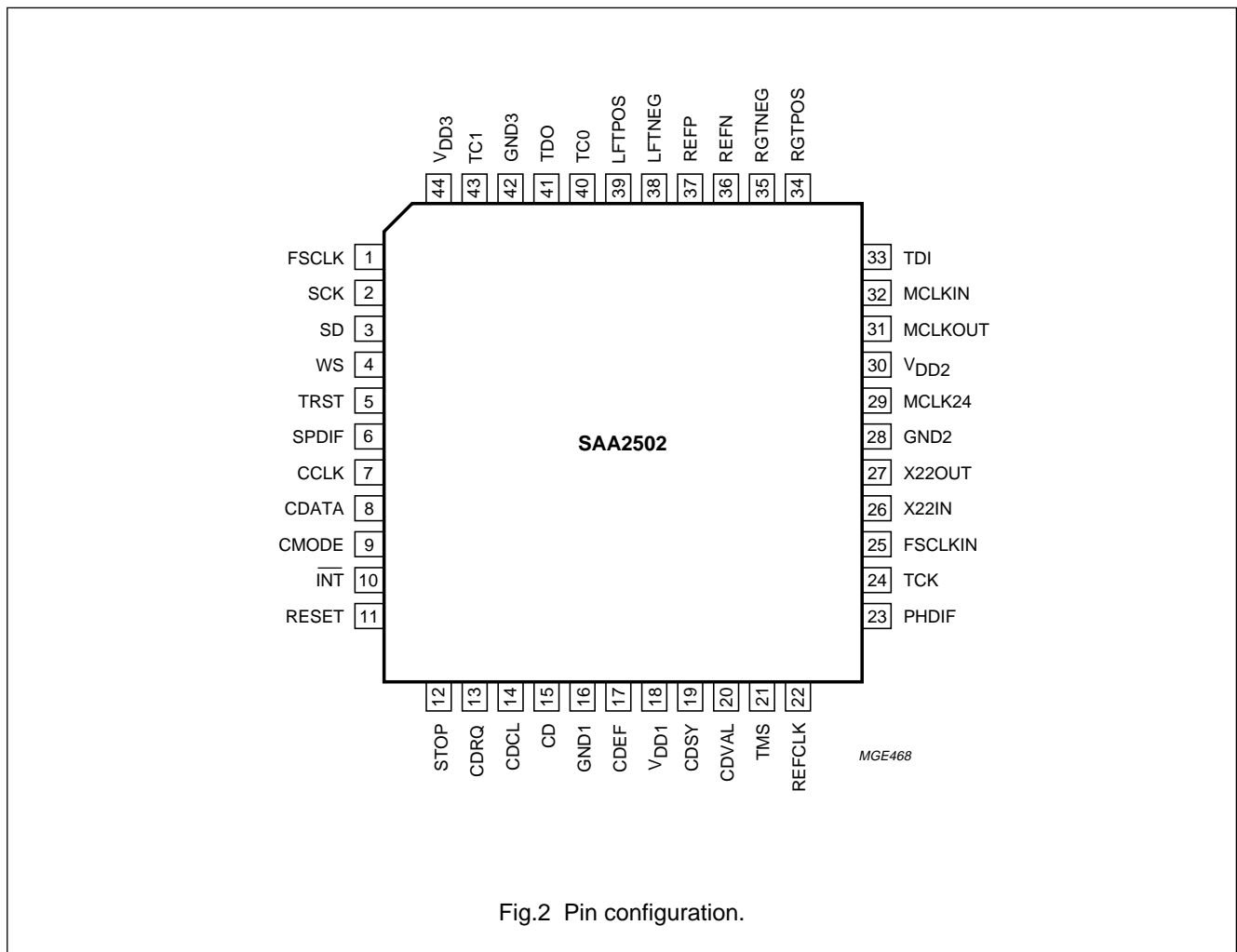


Fig.2 Pin configuration.

ISO/MPEG Audio Source Decoder

SAA2502

7 FUNCTIONAL DESCRIPTION**7.1 Basic functionality**

From a functional point of view, several blocks can be distinguished in the SAA2502. A clock generator section derives the internally and externally required clock signals from its clock inputs. The input interface section receives or requests coded input data in one of the supported input interface modes. The demultiplexer processor handles frame synchronization, parsing, demultiplexing and error concealment of the input data stream. The de-quantization and scaling processor performs the transformation and scaling operations on the (demultiplexed) coded sample representations in the input bitstream to yield sub-band domain samples.

The sub-band samples are transferred to the synthesis sub-band filter bank processor which reconstructs the baseband audio samples. The output interface block transforms the audio samples to the output formats required by the different output ports.

The decoding control block houses the I²C-bus/L3 microcontroller interface, and handles the response to external control signals. This section enables the application to configure the SAA2502, to read its decoding status, to read ancillary data and so on.

Several pins are reserved for boundary scan test (5 pins) and factory test scan chain control (2 pins).

7.2 Clock generator module

The SAA2502 clock interfacing is designed for application versatility. It consists of 9 signals (see Table 1).

The clock generator provides the following clock signals:

- Internal sample clocks
- External buffered sample clock FSCLK
- Processor master clock
- Coded input data bit clock
- Coded input data request clock $f = \frac{\text{input bit rate}}{32}$

The module can be configured to operate in 3 different modes of operation:

- External sample clock mode
- Free running internal sample clock mode
- Locked internal sample clock mode.

Clock generator operation mode must be stationary while the device is in normal operation. Changing mode should always be followed by a (soft) reset.

Table 1 Clock interfacing signals

SIGNAL	DIRECTION	FUNCTION
MCLKIN	input	master clock oscillator input or signal input
MCLKOUT	output	master clock oscillator output
MCLK24	input	master clock frequency indication
X22IN	input	22.5792 MHz clock oscillator input or signal input
X22OUT	output	22.5792 MHz clock oscillator output
FSCLKIN	input	external sample rate clock signal input
FSCLK	output	sample rate clock signal output
REFCLK	input	coded input data rate reference clock
PHDIF	output	phase difference indication output between reference clock and sample clock

ISO/MPEG Audio Source Decoder

SAA2502

7.2.1 EXTERNAL SAMPLE CLOCK

In applications where a $256 \times f_s$ sample clock is available, the use of external crystals may be avoided by putting the SAA2502 clock generator module in 'external sample clock mode'. Such mode setting may be realized by setting control flag FSCINP of the control interface. In this event the sample clock has to be provided to the FSCLKIN clock input. If sample rate switching should be supported, required clock frequency changes are the responsibility of the application. After such a clock frequency change, enforcement of a soft reset is advised.

In external sample clock mode (and only in that mode) the clock generator module is able to accept a $384 \times f_s$ sample clock input. If that mode of operation is desired the control flag FSC384 should be set.

The FSCLK output is normally disabled in this mode. If enabled (by setting control flag FSCENA) FSCLK will produce a buffered copy of FSCLKIN.

X22IN, X22OUT, REFCLK and PHDIF are not used in this mode. X22IN and REFCLK should be connected to GND or V_{DD} .

MCLKIN is used to provide the (free running) master clock. This may either be achieved by applying a correct clock signal to MCLKIN or by connecting a crystal between MCLKIN and MCLKOUT. In external sample clock mode (and only in that mode) the master clock may deviate from 24.576 MHz. The master clock frequency value required depends on the state of pin MCLK24 (see Table 2).

Table 2 Master clock frequency setting by MCLK24

MCLK24	FREQUENCY	
	MINIMUM	MAXIMUM
GND	$256 \times f_s$	12.288 MHz (256×48 kHz)
V_{DD}	$512 \times f_s$	24.576 MHz (512×48 kHz)

7.2.2 FREE RUNNING INTERNAL SAMPLE CLOCK

This is the default mode of operation: $256 \times f_s$ for all six supported sample rates is generated internally from the clock frequencies supplied to MCLKIN (24.576 MHz) and X22IN (22.5792 MHz) as shown in Table 3.

Table 3 Internal sample clock (default mode)

SAMPLE FREQUENCY	RESULTANT FREQUENCIES (MHz)	
	256×48 kHz	12.288
256×44.1 kHz	11.2896	$\frac{22.5792}{2}$
256×32 kHz	8.192	$\frac{24.576}{3}^{(1)}$
256×24 kHz	6.144	$\frac{24.576}{4}$
256×22.05 kHz	5.6448	$\frac{22.5792}{4}$
256×16 kHz	4.096	$\frac{24.576}{6}$

Note

1. Asymmetrical FSCLK.

The main advantage of this mode is that the SAA2502 determines automatically which sampling rate is active from the sampling rate setting of the input data bit stream, and then selects either MCLKIN or X22IN divided by the correct number as the sample clock source.

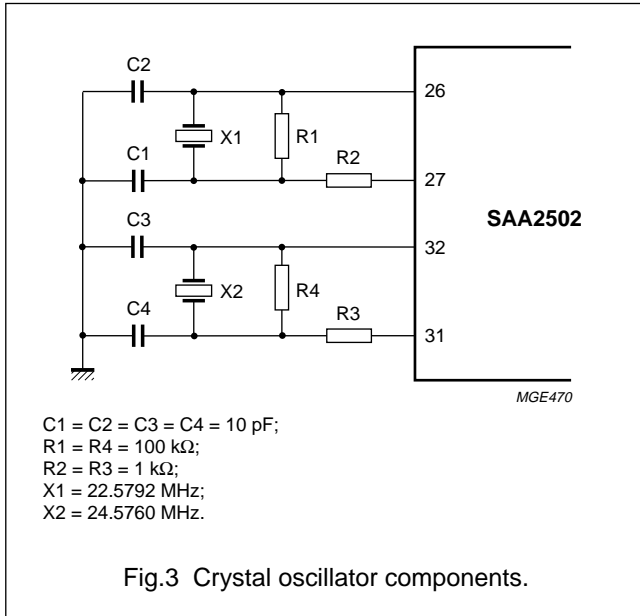
Therefore this mode is particularly suited in applications supporting dynamically varying sampling rates. The required clocks may either be applied to MCLKIN (respectively to X22IN) or be generated by connecting a crystal between MCLKIN and MCLKOUT (respectively between X22IN and X22OUT).

The recommended crystal oscillator configuration is shown in Fig.3. The specified component values only apply to crystals with a low equivalent series resistance of $<40 \Omega$.

FSCLKIN, REFCLK and PHDIF are not used in this mode (FSCLKIN and REFCLK should be connected to V_{SS} or V_{DD}). MCLK24 has to be connected to V_{DD} , while the control flags FSCINP and FSC384 should be left in their default (cleared) states. If the FSCLK output is enabled (by setting control flag FSCENA) FSCLK will produce a buffered version of $256 \times f_s$.

ISO/MPEG Audio Source Decoder

SAA2502



in such a way that SIG and $256 \times f_s$ will stem from the same source. The divisor N_1 is programmable with $(1 \text{ to } 16) \times 8$ as possible values.

REF on the other hand is derived from the REFCLK input. Two programmable dividers in series are used here. N_2 may adopt one of 4 possible values: 5, 25, 125 or 625 while N_3 can be programmed to be 1 to 32. Because both inputs of the phase comparator have to operate at identical frequencies the next equation has to be obeyed:

$$\frac{\text{REFCLK}}{N_2 \times N_3} = \frac{156.6 \text{ kHz}}{N_1} \text{ or, written differently:}$$

$$\text{REFCLK} = \frac{153.6 \text{ kHz} \times N_2 \times N_3}{N_1}$$

For a list of supported REFCLK frequency values see Chapter 8.

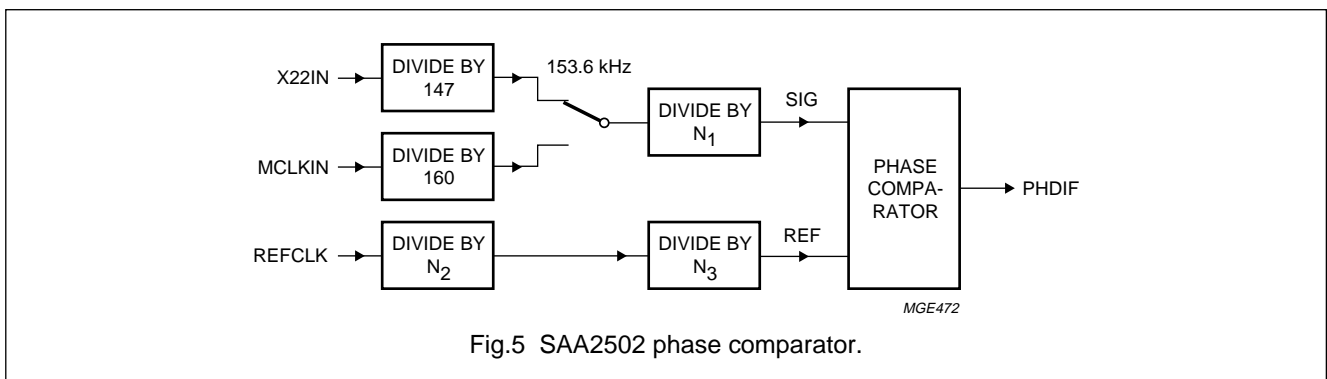
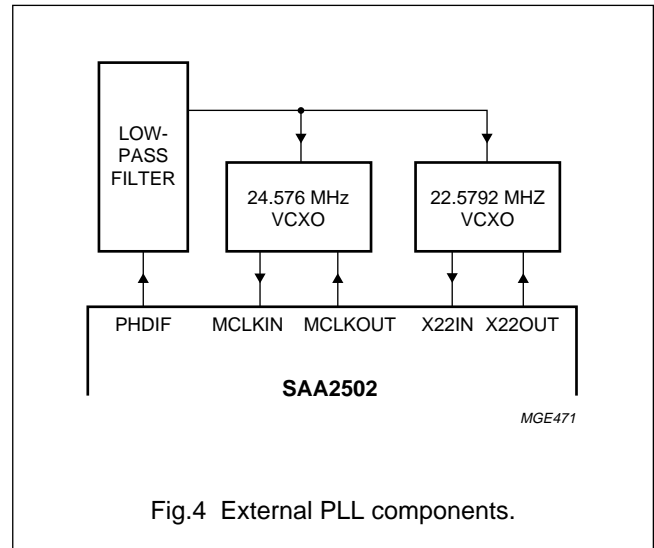
The mode of operation of the phase comparator in Fig.5 is programmable via the control flag PHSMOD:

7.2.3 LOCKED INTERNAL SAMPLE CLOCK

This mode differs from the previous one in just a single aspect: the REFCLK and PHDIF pins are used to realize a Phase-Locked Loop (PLL) which locks the $256 \times f_s$ sample clock to the REFCLK reference clock. Because the real goal is locking sample clock and bit rate, a reference clock should be used which has a fixed relation to the input bit rate. An example of such a PLL realization is shown in Fig.4.

The phase comparator output PHDIF generates a signal with a DC component proportional to the phase difference between the internal signals SIG and REF (see Fig.5). The 22.5792 MHz signal X22IN is divided by 147 and the 24.576 MHz signal MCLKIN is divided by 160. This results in the same frequency (153.6 kHz) in both events.

One of the two signals is selected as input for the programmable divide by N_1 unit. The selector is controlled



ISO/MPEG Audio Source Decoder

SAA2502

7.2.3.1 XOR mode

PHDIF is the XOR function of SIG and REF. The frequency is twice the frequency of SIG and REF. The PHDIF output carries a signal, switching between GND and V_{DD} , with an average value V_{avg} which is a function of the phase difference between SIG and REF (see left part of Fig.6). The locking range in this mode of operation is maximum for even values of N_3 (180 degrees phase difference) but less for odd values of N_3 . It is minimum for $N_3 = 3$ (120 degrees phase difference).

7.2.3.2 Edge triggered mode

PHDIF is only influenced by the rising edges of SIG and REF. Consequently its frequency is equal to the SIG and REF frequency.

The electrical behaviour of the PHDIF output pin in this mode is special:

PHDIF is HIGH from the rising edge of REF to the rising edge of SIG and 3-stated elsewhere if REF is leading and PHDIF is low from rising edge of SIG to rising edge of REF and 3-stated elsewhere if REF is trailing. Therefore PHDIF is NOT 3-stated during a portion t_{up} of each cycle when it acts as a pull-up device or during a portion t_{down} of each cycle when it acts as a pull-down device (see right part of Fig.6).

As a result the locking range is always 360 degrees phase difference. The output behaviour as function of phase difference is non-symmetrical with reference to the vertical axis, but a reversed mode is also available (by setting the control flag PHSRVS).

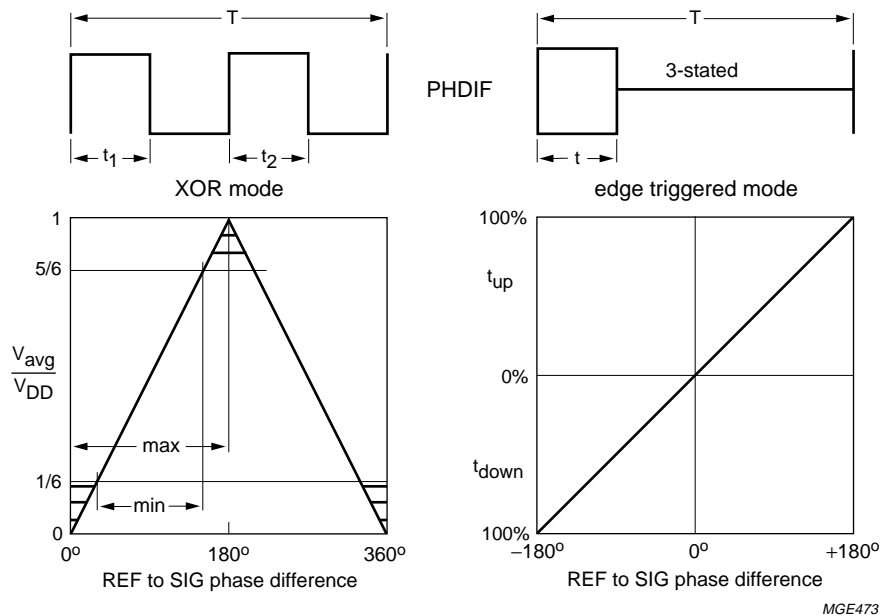


Fig.6 PHDIF output behaviour.

ISO/MPEG Audio Source Decoder

SAA2502

7.2.4 LIMITED SAMPLING FREQUENCY SUPPORT FOR INTERNAL SAMPLING CLOCKS

7.2.4.1 When sampling frequency is limited to 44.1 and/or 22.05 kHz:

In this event MCLKIN is only required to generate the master clock frequency. Consequently the remarks on MCLKIN frequency also apply in this special case.

7.2.4.2 When sampling frequency is limited to 48, 32, 24 and/or 16 kHz:

In this event X22IN is not required. Therefore X22IN should be connected to V_{SS} or V_{DD} , but it is more efficient to apply any available clock signal to X22IN. Because 44.1 kHz is the default initial sampling frequency it may also be advisable to over-rule the sampling frequency after a hard reset.

7.3 Input interface module

The input interface module handles the reception of the coded input data stream.

The module can be configured to operate in 3 distinct modes of operation:

- The master input mode
- The slave input mode
- The buffer controlled input mode.

Input interface mode must be stationary while the device is in normal operation. Changing mode will result in an (automatically generated) internal soft reset.

The inputs CD, CDVAL, CDEF and CDSY are all clocked at the rising edge of the CDCL bit clock.

CDRQ changes at the falling edge of CDCL.

CDVAL = logic 0 indicates that CD and CDEF should be ignored while CDVAL = logic 1 indicates that CD is a valid coded input stream data bit (CDEF is then its error attribute).

CDEF = logic 0 means that the value of CD may be assumed to be reliable while CDEF = logic 1 means that the value of CD is flagged as insecure (e.g. due to erratic non-correctable channel behaviour). The value of CDEF may be different for each data bit, but is combined by the SAA2502 for every group of 8 (byte aligned) valid coded input bits.

CDSY will only have effect when the SYMOD control flags are set to 10 or 11. When SYMOD = 10 the valid input bit at a rising edge of CDSY marks the start of a new byte (when SYMOD = 11 it marks the start of a new MPEG audio frame). Note that just the rising edge of CDSY is important, the falling edge has no meaning.

If CDSY is used with SYMOD = 10 leading edges must be frequent enough to assure fast byte alignment, if used with SYMOD = 11 a leading edge must be present every frame. Leading edges of CDSY may occur while CDVAL is (implicitly) high. Alternatively, a situation as shown in Fig.8 is also allowed, where CDSY has a rising edge while CDVAL is low, i.e. during invalid data. The first valid CD bit after the rising edge of CDVAL is then interpreted as the first byte or frame bit.

The output pin CDRQ is used to request new coded input data.

Table 4 Signals of coded data input interface

SIGNAL	DIRECTION	FUNCTION
CD	input	coded data input bit
CDVAL	input	coded data bit valid flag
CDEF	input	coded data bit error flag
CDSY	input	coded data sync (start of byte/frame) indication
CDCL	input/output	coded data bit clock
CDRQ	output	coded data request

ISO/MPEG Audio Source Decoder

SAA2502

7.3.1 MASTER INPUT MODE

Master input mode is the default mode of operation. This mode may also be enforced by setting the INMOD control flags to 00. Which means that the SAA2502 will generate requests for input data at regular intervals. CDVAL is not used in this mode (it should be connected to V_{SS} or V_{DD}). CDVAL is implicitly assumed to be logic 1 during the 2nd up to (and including) the 17th bit slot after a rising or a falling edge of CDRQ (see Fig.7). Thus signal CD should carry the coded data in bursts of 16 valid bits.

In this mode the CDRQ frequency is locked to (i.e. derived from) the $256 \times f_s$ clock. Its average value equals the bit rate divided by 32.

The bit clock CDCL is output, its frequency is fixed:

$$\frac{MCLK}{32} \text{ when MCLK24} = \text{logic 1}$$

$$\frac{MCLK}{16} \text{ when MCLK24} = \text{logic 0.}$$

MPEG free format bit rate is NOT allowed in this mode.

Assume N is the number of CDCL periods between two transitions of CDRQ, and R is the number of CDCL periods to obtain the effective bit rate E (in kbits/s) at a CDCL frequency of 768 kHz, i.e. $R = \frac{16 \times 768}{E}$.

The SAA2502 keeps the average value of N exactly at R, but individual values of N may vary between $N = \text{round}(R) - 2$ and $N = \text{round}(R) + 2$.

7.3.2 SLAVE INPUT MODE

Slave input mode is activated by setting the INMOD control flags to 0 1. Which means that the SAA2502 will accept input data as presented by the application. In this mode it is the responsibility of the application to maintain locking between the $256 \times f_s$ sample clock and the average bit rate.

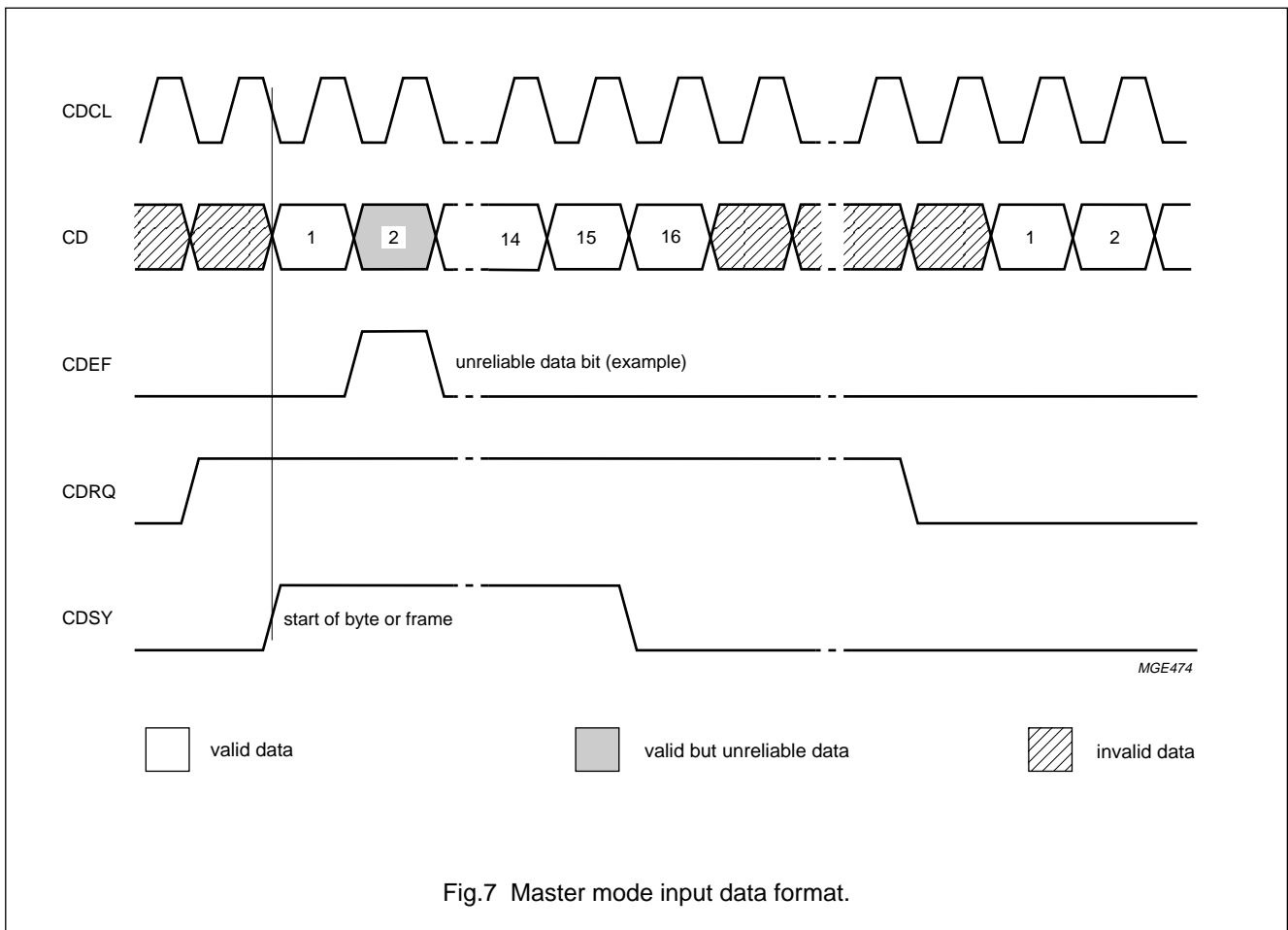


Fig.7 Master mode input data format.

ISO/MPEG Audio Source Decoder

SAA2502

The bit clock CDCL is input, its frequency is determined by the application, however certain minimum and maximum values have to be obeyed.

MPEG free format bit rate is allowed in this mode.

CDVAL = logic 1 indicates valid data. In this way, burst input data is supported.

The speed at which data may be transferred to the input interface is restricted. Transfer of an MPEG frame is illustrated in Fig.9. It shows the transfer of all Nf bits of one frame between time 0 and Tf, where Tf corresponds to 384 sample periods (MPEG layer I input data) or 1152 sample periods (MPEG layer II input data). In the figure, an example of an actual transfer characteristic is drawn. Input data may be transferred at a speed higher than bit rate (i.e. CDCL may have a frequency higher than bit rate).

Ideally the data transfer of the first frame is in a single burst. In practice multiple bursts are allowed, provided that the data transfer is always within ±128 CDCL cycles of the ideal data transfer.

Subsequent frames may also have multiple bursts, but the data transfer must always be within ±128 CDCL cycles of both the first frame data transfer and the ideal single burst transfer characteristics. All frames must start within the first four bytes of a data burst.

The transfer characteristic has a slope equal to CDCL frequency during the bursts (when CDVAL is high) and is horizontal outside the bursts (when CDVAL is low; no bits are transferred). The frequency of CDCL has to be constant (except when CDVAL is low) in normal operation; any change of CDCL frequency should be followed by a (soft) reset.

For DAB applications there is an exception to the rule that data transfer is always within ±128 CDCL cycles of the ideal single burst characteristic.

When the sampling frequency is 24 kHz and the CDCL frequency is 384 kbits/s, it is allowed to send an input frame in two bursts of equal length. The first bit of a frame must be the first bit of a burst, while the last bit of a frame must be the last bit of a burst.

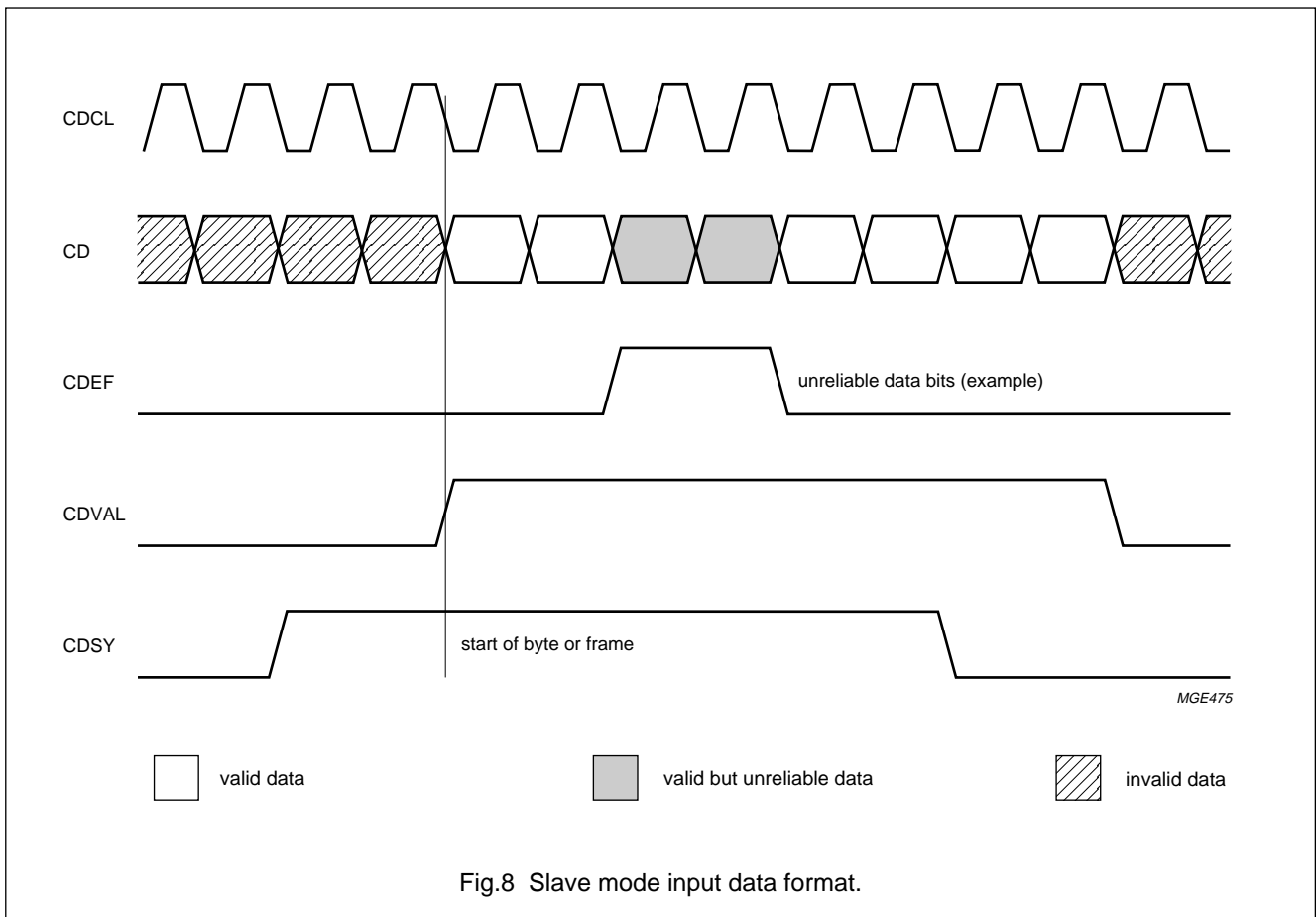
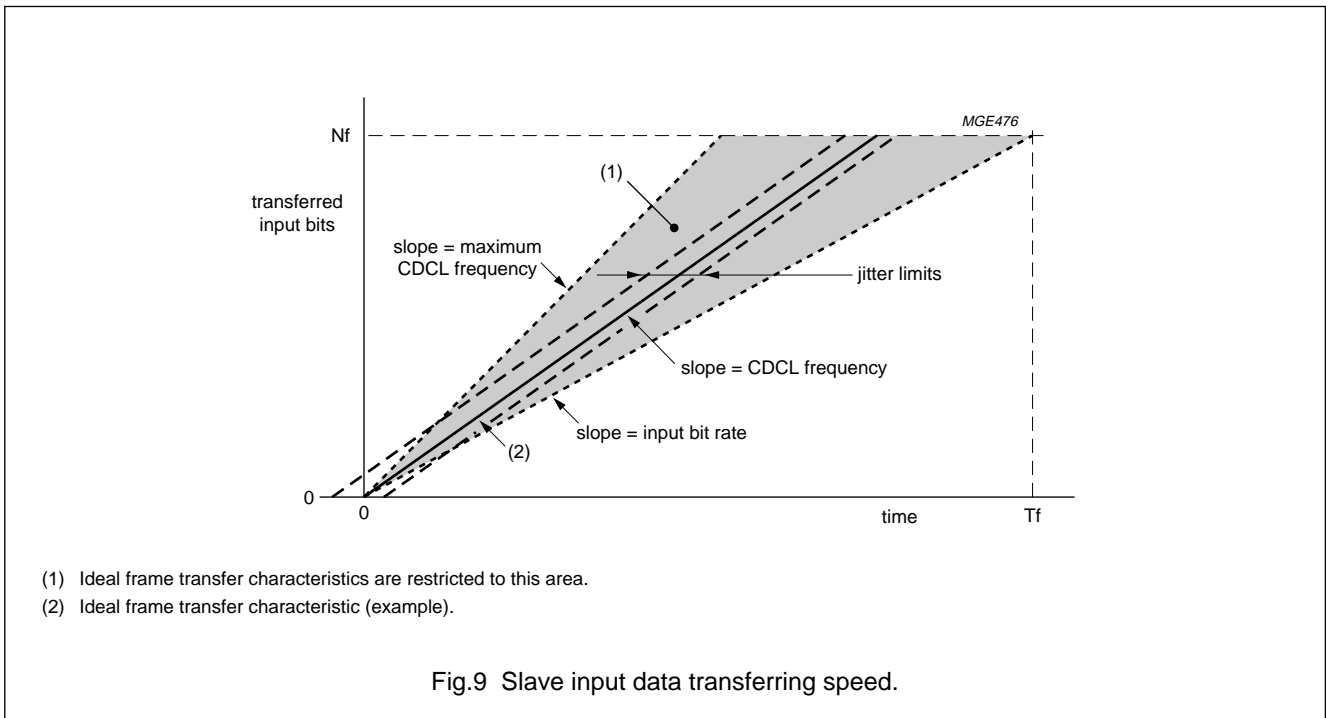


Fig.8 Slave mode input data format.

ISO/MPEG Audio Source Decoder

SAA2502



The shaded area in Fig.9 represents the restrictions to the transfer characteristic of a frame. The characteristic may not cross the shown upper limit of the shaded area in order to prevent input buffer underflow and/or overflow. The slope of the upper limit is determined by the sample frequency as shown in Table 5.

Table 5 Slope of the upper limit determined by sampling frequency

SAMPLE FREQUENCY (kHz)	MAXIMUM CDCL FREQUENCY (kbits/s)
48	768
44.1	705.6
32	512
24	384
22.05	352.8
16	256

ISO/MPEG Audio Source Decoder

SAA2502

7.3.3 BUFFER CONTROLLED INPUT MODE (see Fig.10)

Buffer controlled input mode is activated by setting the INMOD control flags to 1X, which means that the SAA2502 will request data based on the amount of input bytes currently residing in the input buffer.

The bit clock CDCL is output, its frequency is fixed:

$$\frac{MCLK}{32} \text{ when } MCLK24 = \text{logic } 1$$

$$\frac{MCLK}{16} \text{ when } MCLK24 = \text{logic } 0.$$

In this mode CDRQ = logic 1 is an indication that new input data is required. CDVAL = logic 1 indicates the delivery of valid data. The application should react to the event of an input data request as follows:

- One byte of input data should be delivered within 16 CDCL cycles. If CDRQ remains high the next byte

should be delivered and so on until CDRQ is dropped. Delivery of subsequent bytes while CDRQ remains HIGH should be uninterrupted (CDVAL should stay HIGH)

- There is also an option for the application to deliver part of the input data later. Despite violating the conditions in the previous paragraph, this is allowed, but with consequences for the input buffer latency time.

MPEG free format bit rate is allowed in this mode.

Dynamically varying bit rate may be supported in this mode. Whether such support is desired or not is indicated by the following input mode bits:

- INPMOD = 10 means bit rate is assumed to be (quasi) static
- INPMOD = 11 means bit rate is assumed to be dynamic.

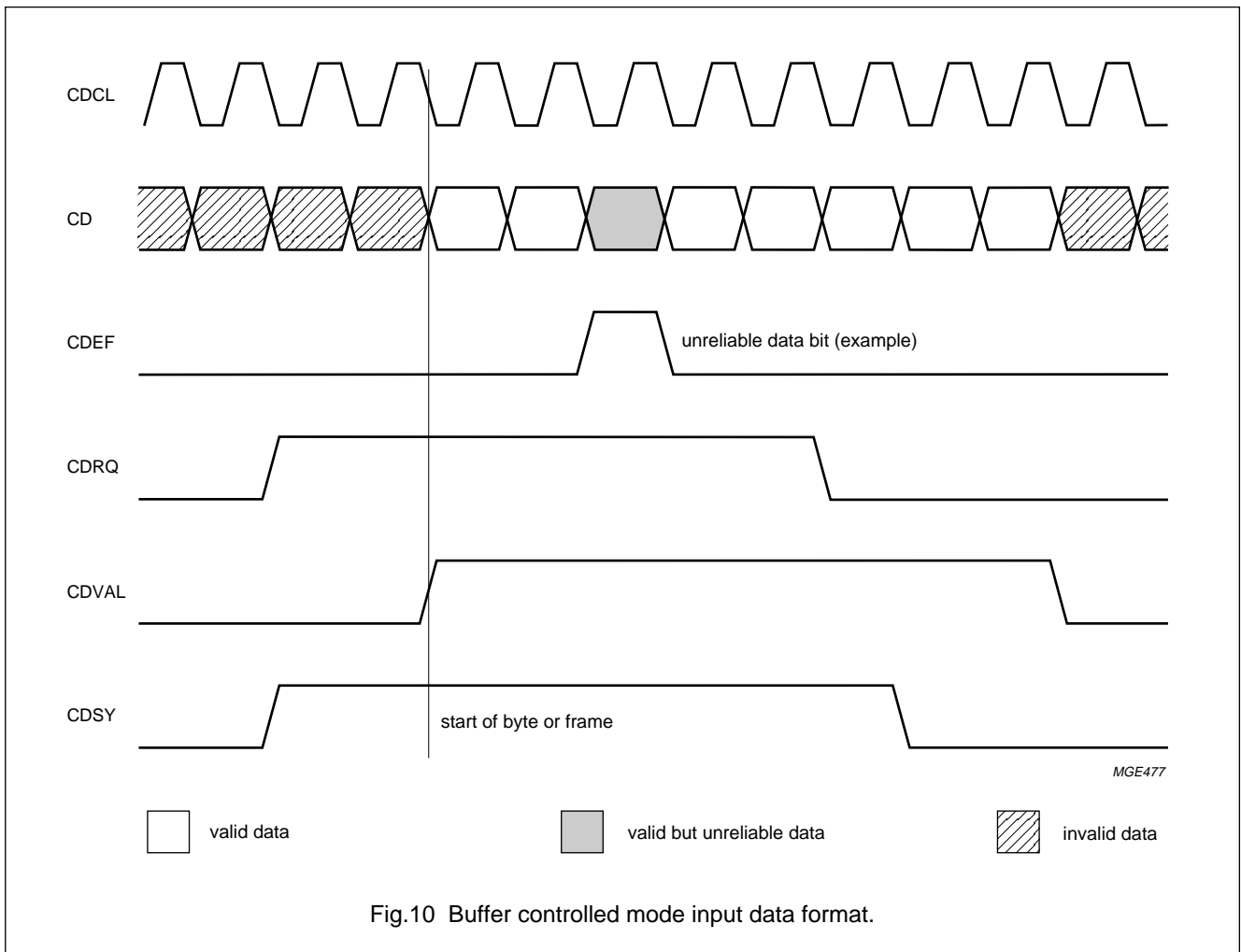


Fig.10 Buffer controlled mode input data format.

ISO/MPEG Audio Source Decoder

SAA2502

7.4 Decoder core

The SAA2502 fully complies with MPEG1 (layer I and II) and MPEG2 (layer I and II, L₀ and R₀ channels). Also some DAB specific features are supported. Free format bit rate is not supported in master input mode. Several aspects of the decoding process and audio post-processing features are offered.

7.4.1 FRAME SYNCHRONIZATION TO INPUT DATA STREAMS

The SAA2502 has to localize the start of a frame before decoding may begin. The process of locating the start of a frame is called frame synchronization. There are 4 different modes of frame synchronization available. These modes are in order of decreasing speed of frame synchronization.

7.4.1.1 Frame sync pulse mode

In this mode the start of each frame is marked by a rising edge of the CDSY input pin. It is the fastest and most reliable method of frame synchronization. It is activated by loading 11 into the SYMOD control flags.

7.4.1.2 Byte aligned mode

This default mode may also be enforced by loading 10 into the SYMOD control flags. The start of a frame is located by detection of the 14-bit sync pattern 111111111111X1. The probability of correct sync detection is enhanced by the fact that a rising edge of the CDSY input pin marks a location which is byte aligned with frame bounds. A rising edge of CDSY is not required at every byte edge but should occur at regular intervals for reliable frame synchronization.

7.4.1.3 Layer II non-byte aligned mode

This mode may be entered by loading 01 into the SYMOD control flags. Frame start is found by detection of the 15-bit sync pattern 111111111111X10.

As this pattern is slightly longer than the previous one and also contains at least one 1-to-0 transition, it may be used to obtain frame synchronization in the absence of any external alignment indication (CDSY is ignored and therefore may be left floating).

7.4.1.4 General non-byte aligned mode

This mode may be entered by loading 00 into the SYMOD control flags. Frame start is detected by alternating searches for a 15-bit sync pattern 111111111111X10 (identical to the layer II mode search pattern) and a 15-bit sync pattern 011111111111X1.

Because valid MPEG streams exist that do not contain the first pattern while other valid MPEG streams do not contain the second pattern a time-out counter will always be active in this mode. Time-out length is set to slightly more than 72 ms which is the length of the longest audio frame.

The second pattern operates for layer I and layer II, but successful synchronization is only guaranteed when the last bit of the previous frame equals logic 0. Consequently this mode synchronizes to layer I input bit streams only if frames at least sometimes end with a logic 0 bit. Both patterns contain the 1-to-0 or 0-to-1 transition required for a reliable start-of-frame detection in the absence of external alignment information.

If the SAA2502 starts at a random place in the bit stream, it may take up to one frame before a sync pattern or sync pulse is encountered. Because sync patterns may be emulated by frame content, detection of a sync is always followed by a verification period to check whether the sync is located at the start of a frame. The length of the verification period depends on the presence of CRC protection and/or a free format bit rate index. During sync search and verification the baseband audio outputs are muted. If verification fails the synchronization process is restarted.

Table 6 Frame sync verification

INPUT DATA FORMAT	LENGTH OF VERIFICATION PERIOD	
	FREE FORMAT BIT RATE	NON-FREE FORMAT BIT RATE
MPEG; no CRC	2 frame bit rate	1 frame
MPEG with CRC	1 frame	0 frame

ISO/MPEG Audio Source Decoder

SAA2502

7.4.2 MASTER INPUT MODE BIT RATE GENERATION

When master input mode is used, the SAA2502 fetches input data at the effective bit rate. However after a hard reset the input requests input data at the default bit rate until synchronization has been established as shown in Table 7.

When the clock generator mode is 'free running internal sample clock' or 'locked internal sample clock' the default input bit rate is always 384 kbits/s. When the mode is 'external sample clock' the SAA2502 derives the selected bit rate from the signal FSCLKIN. But initially it has no indication of the current sampling rate corresponding to FSCLKIN. Therefore the bit rate of 384 kbits/s is generated at an assumed sampling frequency of 44.1 kHz. For different sample rates, the bit rate changes proportionally.

The consequence is that while the SAA2502 is synchronizing after a hard reset, the application should be able to supply input data at the given default bit rate until synchronization is established. Alternatively there is also the possibility to overrule default bit rate setting and

sample rate setting using the control interface while synchronization has not been established.

The speed at which input data is requested by the input in master mode is changed in one of the following events:

- When input synchronization is established at the end of the verification phase and the bit rate index of the decoded bit stream indicates a bit rate different from the one currently selected. In this event, the bit rate is adapted to the new index.
- When the signal STOP is raised while the STOPRQ control flag = logic 1, input requesting is halted. Requesting resumes at the last selected input bit rate when the STOP signal is dropped.

In all other events (including when the SAA2502 loses synchronization), the last selected input bit rate is maintained.

Whenever the selected bit rate changes while dynamic bit rate is not enabled, the SAA2502 will generate internally a soft reset resulting in a soft mute of the output interfaces and a decoder restart in order to re-initialize internal buffer settings.

Table 7 Establishment of default bit rate

CLOCK GENERATOR MODE	FSCLKIN (kHz)	DEFAULT BIT RATE (kbits/s)
Free running internal clock	don't care	384
Locked internal clock	don't care	384
External sample clock	256 or 384×48	417.96
	256 or 384×44.1	384
	256 or 384×32	278.64
	256 or 384×24	208.98
	256 or 384×22.05	192
	256 or 384×16	139.32

ISO/MPEG Audio Source Decoder

SAA2502

7.4.3 SAMPLE CLOCK GENERATION

When the 'external sample clock' mode of the clock generator is used, the application must know the sample rate. FSCLKIN has to be applied, with a frequency which is a multiple of the sample rate. The (sample rate dependent) output interface timing signals will be generated from FSCLKIN. This mode will normally be used in applications with a fixed sample rate. Should the sample rate change, then a soft reset is strongly advised.

When one of the remaining clock generator modes is used, the SAA2502 selects the active sample rate automatically, and generates the required sample rate related timing signals from its MCLKIN and X22IN clock inputs. Soft resets at sample rate changes are generated automatically. After a hard reset, a sample rate of 44.1 kHz by default is selected. Such default setting may be overruled using the control interface.

SCK, WS and SPDIF will show frequency changes in any of the following 3 situations:

- When the SAA2502 establishes synchronization to the coded data input bit stream at a sample rate different from the one previously selected
- When the current (default) sample rate is overruled by the control interface
- When the clock generator mode is changed, resulting in a switch from or to the 'external sample clock mode'.

In all those situation the phase of WS and the data content of SPDIF will be continuous.

In all other events SCK, WS and SPDIF remain operating without phase or frequency changes and the sample rate selection remains unchanged.

7.4.4 DECODER PRECISION

During decoding several multiply operations are carried out on coded samples. The results of these operations have to be rounded in order to keep the word length required for internal number representation within reasonable limits. Accumulation of these rounding errors is kept at a very low level in order to assure precise audio output samples. SAA2502 precision is specified using the output of the MPEG reference decoder based on double precision floating point calculations as a reference. Differences between that reference decoder and SAA2502 output manifest themselves as white noise.

Two contributions to this noise may be identified:

- Noise resulting from internal rounding on intermediate results
- Noise resulting from rounding of final output samples to 16, 18, 20 or 22 bits (depending on selected output accuracy).

Table 8 shows the effective noise level figures. (unit is 1 LSB of 22-bit accuracy output). Except for 22-bit accuracy, output rounding is by far the dominant effect. Consequently the SAA2502 may be considered a professional level high precision decoder.

Table 8 Effective noise level figures

OUTPUT ACCURACY (BITS)	INTERMEDIATE ROUNDING	OUTPUT ROUNDING ⁽¹⁾	TOTAL NOISE LEVEL
22	0.6	0.3	0.7
20	0.6	1.2	1.3
18	0.6	4.6	4.7
16	0.6	18.5	18.5

Note

1. The output rounding part of this precision is valid only for I²S and SPDIF outputs.

ISO/MPEG Audio Source Decoder

SAA2502

7.4.5 SCALE FACTOR CRC PROTECTION

MPEG specifies an optional 16 bit CRC that may be used to verify whether an important part of each audio frame is received correctly. The following data items is protected by this CRC:

- Bytes 3 and 4 of the first 4 bytes of each frame, containing most of the frame header information
- Allocation information
- Scale factor select information (layer II only).

The scale factors are not protected by this scheme. The DAB specification includes CRC protection for scale factors. The 32 sub-bands are divided into the following 4 blocks:

- Block 0 = sub-bands 0 to 3
- Block 1 = sub-bands 4 to 7
- Block 2 = sub-bands 8 to 15
- Block 3 = sub-bands 16 to 31.

Each block is protected by an 8-bit CRC if that block of sub-bands is (partly) inside the current sub-band limit. The required scale factor CRCs are stored in the last bytes of the previous audio frame:

- The last two bytes of each frame are reserved for ancillary data; DAB specification calls this Fixed Program Associated Data (FPAD)
- Minimum 2 and maximum 4 bytes before FPAD are reserved for scale factor CRCs. The number of CRC bytes present is be derived from the sub-band limit of the following audio frame
- Bytes before the CRCs are available for more ancillary data; DAB specification calls this extended Program Associated Data (XPAD), as far as not occupied by MPEG coded input data.

The DAB type of scale factor CRC protection, extended to all valid sample frequency plus bit rate combinations of MPEG1 and MPEG2, and to layer I, is fully supported by the SAA2502. (DAB is restricted to MPEG1 layer II, to 48 kHz sample frequency and does not support free format bit rate). Requirements for scale factor CRC handling is indicated by the SFCRC control flag.

7.4.6 HANDLING OF ERRORS IN THE CODED INPUT DATA

The SAA2502 is able to handle certain types of errors in the input data. Three error categories will be handled:

- Errors flagged by the coded input data error flag CDEF
- CRC failures (if MPEG and/or scale factor error protection is active)
- MPEG audio frame syntax errors.

Error flags in the input data will effect the decoding process if the corrupted data is inside the header, bit allocation or scale factor select information part of a frame (then the SAA2502 will 'soft' mute that frame) or inside the scale factor field (then the most recent valid scale factor of the same sub-band will be copied).

Error flags in other data fields will be ignored. If MPEG and/or scale factor CRCs are active the CRC result has priority over CDEF flags inside the protected fields. In applications where the MPEG CRC is always present, the protection bit (which is not CRC protected) in the MPEG header may be overruled by setting control flag CRCACT. Thus the SAA2502 is robust for data errors in the protection bit.

ISO/MPEG Audio Source Decoder

SAA2502

7.4.7 DYNAMIC RANGE COMPRESSION

The baseband audio output resulting from MPEG decoding has a high dynamic range (theoretically >200 dB, practically up to 120 dB for the 22-bit output mode). This feature is very attractive from the high quality audio standpoint of view, but such high dynamic range is undesirable when there is a relatively high level of background noise (e.g. for car radio). For those applications the SAA2502 offers the possibility of built in dynamic range compression:

- Internal dynamic range compression is offered. Thus any standard MPEG encoded bit stream may be compressed i.e. no added compression information is required.
- The dynamic range compression algorithm is fully parameterised. All major characteristics are programmable through the control interface:
 - Level of compression
 - Maximum compression
 - Compression offset
 - Compression release rate (compression attack rate has to be fixed).

The dynamic range compression algorithm is based on a (in time varying) amplification factor, which is equally applied to all audio output samples. The value of the amplification factor is calculated on basis of the current audio output power level for each (sub)frame of 384 output samples. The applied power to amplification curve is shown in Fig.11. All characteristics of the curve are programmable:

- Compression slope minimum = 0, maximum = 0.996
- Maximum amplification minimum = 0 dB, maximum = 23.81 dB
- Offset minimum = 0 dB, maximum = 47.81 dB.

Offset values close to 0 dB may result in clipped output signals. This is especially true for signals with a high amplitude-to-power ratio (an extreme example of such a signal is a maximum amplitude unit impulse). The occurrence of this effect can be avoided by selecting an offset value close to or greater than 15 dB.

In the context of dynamic range compression definition, the 0 dB power reference level is defined as a sine wave shaped output signal with maximum amplitude in just one (right or left) channel.

The calculation will result in a new amplification factor every 384 samples (i.e. from 8 ms at 48 kHz to 24 ms at 16 kHz sample rate). Subsequent amplification factors may vary considerably.

An example showing two large step type discontinuation is shown in Fig.12. It is undesirable to apply large increasing amplification steps immediately. Consequently increasing the amplification factor is limited to the 'release rate' which is also programmable:

- Minimum release rate = $\frac{0.0117 \text{ dB}}{384 \text{ samples}}$
(1.46 dB/s at 48 kHz; 0.488 dB/s at 16 kHz)
- Maximum release rate = $\frac{0.375 \text{ dB}}{384 \text{ samples}}$
(46.87 dB/s at 48 kHz; 15.625 dB/s at 16 kHz).

Decreasing amplification factors, must be applied almost immediately to avoid overflow when the audio power increases rapidly; thus attack rate is non-programmable and fast.

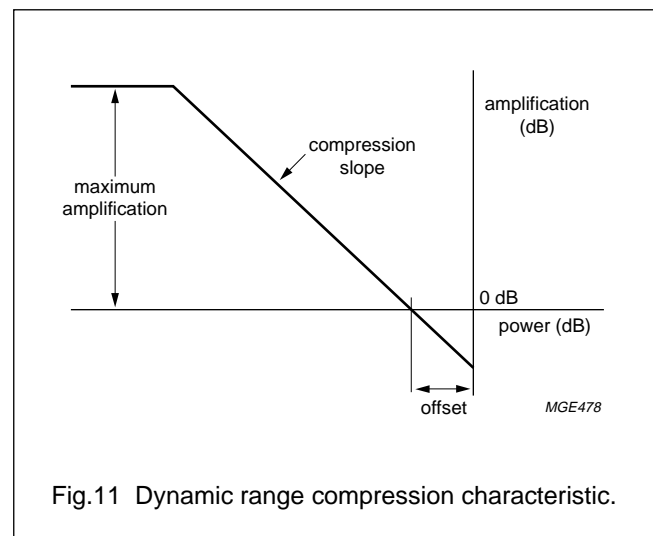


Fig.11 Dynamic range compression characteristic.

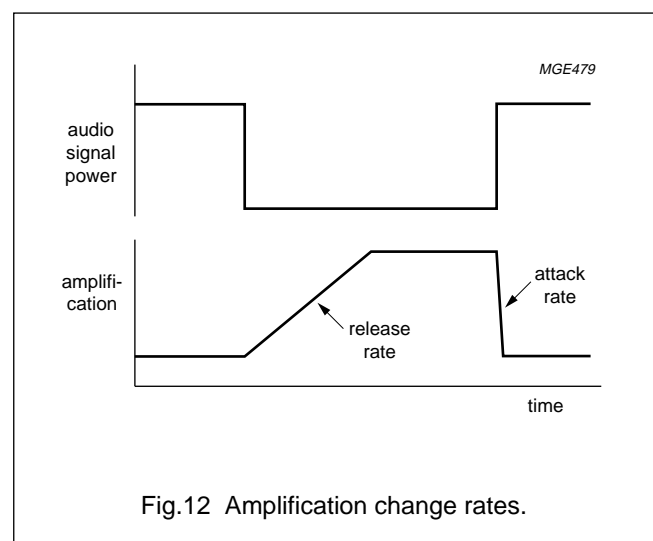


Fig.12 Amplification change rates.

ISO/MPEG Audio Source Decoder

SAA2502

7.4.8 BASEBAND AUDIO PROCESSING

Baseband audio de-emphasis as indicated in the MPEG input data stream is performed digitally inside the SAA2502. The included 'Audio Processing Unit' (APU) see Fig.19, may be used to apply programmable inter-channel crosstalk or independent channel volume control.

The APU attenuation coefficients LL, LR, RL and RR may be changed dynamically by the microcontroller, writing their 8-bit indices to the SAA2502 through its control interface. The coefficient changes become effective within one sample period after writing. To avoid audible clicks at coefficient changes, the transition from the current attenuation to the next is smoothed. The relationship between the APU coefficient index and the actual coefficient (i.e. the gain) is shown in Fig.14 and in Table 9

For coefficient index 0 to 64 the step size is $-3/16$ dB and for coefficient index 64 to 255 the step size is $-3/8$ dB.

The APU has no built-in overflow protection, so the application must assure that the output signals of the APU cannot exceed the 0 dB level. For an update of the APU coefficients, it may be required to increase some of the coefficients and decrease some others. The APU coefficients are always written sequentially in a fixed sequence LL, LR, RL and RR. Therefore, to prevent (temporary) internal APU data overflow, the following sequence of steps may be necessary:

1. Write LL, LR, RL and RR, but change only decreasing coefficients. Overwrite increasing coefficients with their old value (therefore do not change these yet).
2. Write LL, LR, RL and RR again, but now change increasing coefficients, keeping the other ones unchanged.

Table 9 APU coefficient index and actual coefficient.

APU COEFFICIENT INDEX C		APU COEFFICIENT
BINARY	DECIMAL	
00000000 to 00111111	0 to 63	$2^{-\frac{C}{32}}$
01000000 to 11111110	64 to 254	$2^{-\frac{(C-32)}{16}}$
11111111	255	0

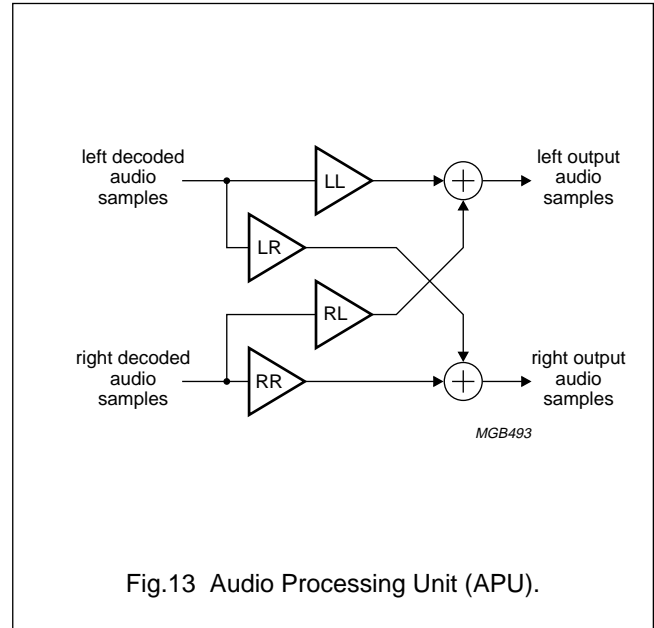
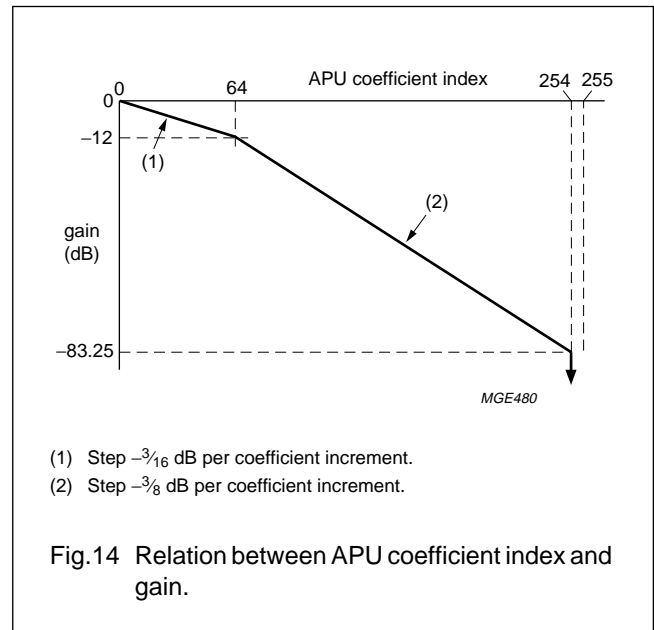


Fig.13 Audio Processing Unit (APU).



- (1) Step $-3/16$ dB per coefficient increment.
- (2) Step $-3/8$ dB per coefficient increment.

Fig.14 Relation between APU coefficient index and gain.

ISO/MPEG Audio Source Decoder

SAA2502

7.4.9 DECODER LATENCY TIME

Latency time is defined as elapsed time between the moment that the first byte of an audio frame is delivered to the SAA2502 and the moment that the output response resulting from the first (sub-band) sample of the same frame reaches its maximum.

Latency time results from the addition of two internal latency contributions: $t_{latency} = t_{proc} + t_{buf}$.

- The processing latency time (t_{proc}) is sample frequency dependent (see Table 10).
- The input buffer latency time (t_{buf}) is input interface mode dependent.

Precision of latency time calculation is sampling rate and bit rate dependent. Maximum deviation is roughly plus or minus 4 sample periods.

7.4.9.1 Master and slave input interface modes

Input buffer latency time $t_{buf} = (\text{minimum of } t_{buf1} \text{ and } t_{buf2}) + cr \times 3.52 \text{ ms}$:

- t_{buf1} is sample frequency dependent (see Table 10)
- t_{buf2} is input bit rate dependent (see Table 11 and Table 12)
- cr is the ratio between maximum and actual value of MCLKIN frequency.

For slave input interface mode NOT the average input bit rate should be used for table look-up, but CDCL frequency (input bit rate during the burst). For free format bit rates the table should be interpolated (t_{buf2} is proportional to 1/bit rate).

Table 10 Processing latency time

SAMPLE FREQUENCY (kHz)	t_{proc} (ms)	t_{buf1} LAYER I (ms)	t_{buf1} LAYER II (ms)
48	6.67	8.00	24.00
44.1	7.26	8.71	26.12
32	10.00	12.00	36.00
24	13.33	16.00	48.00
22.05	14.51	17.41	52.24
16	20.00	24.00	72.00

Table 11 Buffer latency time; high bit rate

BIT RATE (kbits/s)	t_{buf2} (ms)
448	5.52
384	6.44
320	7.73
256	9.66
192	12.88
160	15.45
128	19.31
96	25.75
64	38.63
48	51.50
32	77.25
16	154.50

Table 12 Buffer latency time; low bit rate

BIT RATE (kbits/s)	t_{buf2} (ms)
416	5.94
352	7.02
288	8.58
224	11.04
176	14.05
144	17.17
112	22.07
80	30.90
56	44.14
40	61.80
24	103.00
8	309.00

ISO/MPEG Audio Source Decoder

SAA2502

7.4.9.2 Buffer controlled input mode

Input buffer latency time behaviour is relatively complex in this mode.

At start-up (i.e. during the search-for-frame sync) latency time is very small ($t_{buf} < 2$ ms) because the input buffer remains empty.

After a frame sync is detected, normal decoding starts and the buffer fills up to its desired fill level. That level will result in a buffer latency time t_{buf2} (see Tables 11 and 12, t_{buf1} plays no role) for constant bit rate operation.

It is more complex for variable bit rates, at high bit rates the buffer will hold only a fraction of a frame, while at low bit rates it may hold many frames (each possibly of a different bit rate). Also input buffer content may deviate from the desired level because data consumption rate at the output of the buffer may be high during short periods while replenishing is limited by CDCL frequency.

As a result buffer latency time in buffer controlled input mode may be predicted more or less accurately only at (re)start time.

Another consequence of buffer behaviour at very low bit rates in this mode is that buffer latency time values may become large. Therefore it might be possible that the SAA2502 will request data, which is not (yet) available. In those situations the SAA2502 is requesting more data than required; storage of more than one complete frame in the input buffer is never necessary.

Consequently the application may delay delivery of requested data until it becomes available without any effect on correct SAA2502 operation. This option constitutes delayed delivery possibility.

7.5 Output interface module

The output interface module produces stereo baseband output samples in three different formats at the same time:

- I²S
- SPDIF
- 256 times oversampled bit serial analog.

Any of the three outputs may be enabled or disabled in order to save dissipation and minimize EMC generation in applications that do not need all of them.

Decoded mono streams and the (user) selected channel of dual channel streams are presented at both (left and right) output channels.

If indicated in the coded input data, de-emphasis filtering is performed digitally on the output data, thus avoiding the need of external analog de-emphasis filter circuitry.

7.5.1 I²S OUTPUT

This output interface section generates decoded baseband audio data in I²S format (see Fig.15).

The I²S output interface section consists of 3 signals (see Table 13).

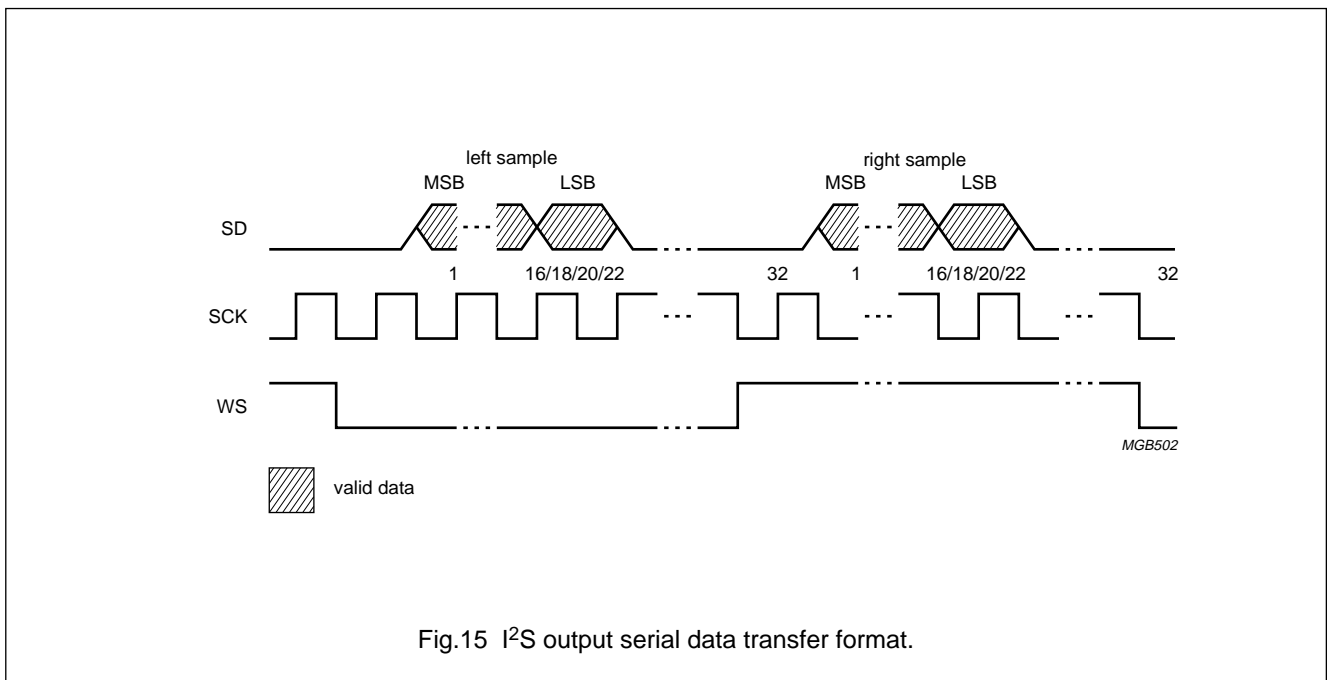


Fig.15 I²S output serial data transfer format.

ISO/MPEG Audio Source Decoder

SAA2502

Table 13 Signals of output interfacing

SIGNAL	DIRECTION	FUNCTION
SCK	output	data clock
SD	output	baseband audio data
WS	output	word select

The frequency of clock SCK is 64 times the sample frequency.

The signal SD is the serial baseband audio data, sample by sample (left/right interleaved; the left sample and the right immediately following it form one stereo pair). 32 bits are transferred per sample per channel. The samples are transmitted in two's complement, MSB first. The output samples are rounded to either 16, 18, 20 or 22 bit precision, selectable by the control interface flags RND1 and RND0. The remainder of the 32 transferred bits per sample per channel are zero.

The word select signal WS indicates the channel of the output samples (LOW if left, HIGH if right).

7.5.2 SPDIF OUTPUT

7.5.2.1 SPDIF format

The SPDIF data format is frame based. One SPDIF frame represents one audio sampling period. Complete frames must be transmitted at the audio sample rate. Every frame comprises two sub-frames, each of 32 bits. The data is transmitted in bi-phase mark modulated format to ensure a zero DC component.

Four bits of data at the beginning of each sub-frame are assigned to frame and sub-frame synchronization, which is achieved using a set of 3 output sequences which violate the bi-phase mark rules. The audio samples occupy 24 bits (bits 4 to 27), transmitted LSB first. Depending on the selected accuracy the 2, 4, 6 or 8 LSBs will be logic 0.

Bits 28 to 31 are occupied by the validity flag for the audio sample, a channel status bit (each super-frame of 192 frames contains two groups of 192 channel status bits, one for each channel), a user data bit, and a parity bit (even parity for bits 4 to 31). These bits are described respectively as V, U, C and P in the SPDIF specification.

The synchronization for the channel status frame is achieved by a pair of preamble violation sequences.

The synchronization for the user channel data is embedded within the data.

7.5.2.2 Frame synchronization patterns (Bits 0 to 3, SPDIF subframe)

The frame synchronization patterns are based on bi-phase violations. They are sent as shown in Table 14

The sequences are sent in place of 4 bi-phase coded bits 0 to 3. They are not bi-phase coded, but are sent as they are.

Table 14 Frame synchronization patterns

BINARY	PATTERN	DESCRIPTION
11101000	B	left sub-frame follows. SPDIF super-frame starts. Bit 0 of left C channel will be sent in this subframe
11100100	W	right subframe follows
11100010	M	left subframe follows

7.5.2.3 Validity flag (bit 28, SPDIF subframe, V bit)

The V bit is intended to indicate an invalid data sample. Equipment connected to the interface is expected to perform interpolations across small numbers of invalid (V = logic 1) samples. Owing to the manner in which data is decoded in the SAA2502, and the sub-band processing of the signal, an input data error affects output audio signals in a complex way.

There is not a simple relationship between input errors and damaged audio samples. Therefore the validity flag value is made programmable (through the control interface unit) Control software can use this bit in any way required.

7.5.2.4 User channel data (bit 29, SPDIF subframe, U bit)

There is a single user data channel. Two bits of data in this channel are transmitted in each frame. For this minimum implementation only the possibility to send single byte user messages to the user channel is offered. Each byte sent will be preceded by a single logic 1 valued start bit. The 8 bits of the user message are then sent LSB first.

7.5.2.5 Channel status data (bit 30, SPDIF sub-frame, C bit)

A group of C channel status bits consists of 192 bits. Two groups of channel status bits are transmitted every super-frame (one group for each channel) at a rate of one bit per sub-frame. In this application, both channel status words will be identical.

ISO/MPEG Audio Source Decoder

SAA2502

Table 15 Channel status data

DESCRIPTION	BITS	FIELD	INDICATION
Control field; note 1	0	0	indicates consumer use
	1	0	logic 1 reserved for digital data and further standardization
	2	C	logic 0 = copy prohibited; logic 1 = copy permitted
	3 and 4	00	no pre-emphasis (SAA2502 has automatic de-emphasis)
	5	0	2 channel audio data
	6 and 7	00	mode 0 indication
Category code	8 to 15	00000000	2 channel
Source number	16 to 19	0000	don't care
Channel number	20 to 23	0000	don't care
Sample frequency; note 2	24 to 27	field filled in accordance with clause 4.2.2.2 of the SPDIF standard: 0100 = 48 kHz 0000 = 44.1 kHz 1100 = 32 kHz	
Clock accuracy; note 3	28 and 29	field filled in accordance with clause 4.2.2.2 of the SPDIF standard: 00= level II (normal accuracy of 0.1%)	

Notes

1. This field is filled according to clause 4.2.2.2 of the SPDIF standard 'Channel status data format for digital audio equipment for consumer use' (mode 0).
2. The low sample frequencies of MPEG2 are not defined yet. In order to be able to follow future standardization, the code sent for the three remaining sampling frequencies (24, 22.05 and 16 kHz) is programmable through the controller interface.
3. The remaining 162 bits of each channel status word will all be logic 0. Individual bits of the status channel will be sent bit 0 first.

7.5.2.6 Parity (bit 31, SPDIF sub-frame, P bit)

Even parity is generated on the 28 sub-frame data bits (4 to 31) in bit 31.

7.5.2.7 SPDIF control

The SPDIF interface will be controlled by the microcontroller via the control interface. The V bit is copied into each SPDIF subframe (once for each data sample). The C bit is inserted twice per SPDIF super-frame into the channel status data (bit 2 in each C channel). The user byte is inserted into the user channel (preceded by a start bit) immediately after reception through the control interface, otherwise the user channel is filled with logic 0s.

Table 16 SPDIF interface control

BIT/BYTE	DEFAULT	RESULT
V bit	default = logic 0	valid audio data
C bit	default = logic 1	digital copy permitted
U byte	uuuuuuuu	8 bits user byte

7.5.2.8 Channel status

The sampling frequency bits (bits 24 to 27) are derived from the sampling frequency index bits of the input data stream

7.5.2.9 User data

Only single 8 bit messages are sent. Individual messages should be time separated far enough to insert at least 9 logic 0s in between (for easy synchronization at the receiver end at random entry points in the stream).

ISO/MPEG Audio Source Decoder

SAA2502

7.5.3 BIT SERIAL ANALOG OUTPUT

In order to serve applications which require low to medium performance stereo audio output, two bit serial analog outputs are provided (one for each channel). The on-chip DACs each consist of three functional blocks in series:

- $4 \times f_s$ up-sampling filter
- AC and DC dithering block
- $N \times f_s$ noise shaper; see Table 17.

Table 17 Value of N for $N \times f_s$ noise shaper

MODE	SAMPLE RATE	VALUES
External sample clock mode	FSC384 = 0	N = 256
	FSC384 = 1	N = 384
Other clock generator modes	$f_s = 48$ kHz	N = 256
	$f_s = 44.1$ kHz	N = 256
	$f_s = 32$ kHz	N = 384
	$f_s = 24$ kHz	N = 512
	$f_s = 22.05$ kHz	N = 512
	$f_s = 16$ kHz	N = 768

The two analog outputs deliver a ‘pulse density modulated’ signal, switching between REFN and REFP. The format is programmable (through the control interface):

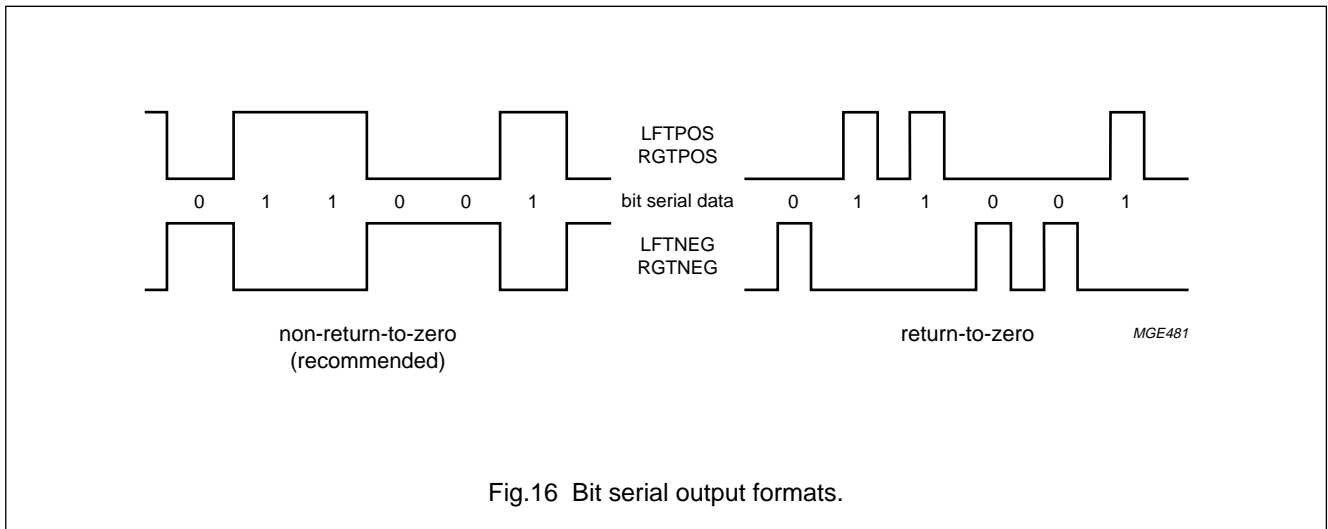
- Non return-to-zero format (subsequent logic 1 pulses are merged)
- Return-to-zero format (subsequent logic 1 pulses are separated by logic 0 levels).

The quality of the analog output signal depends on several external factors:

- Stability and decoupling of the analog supply
- Absence of jitter on the sample clock
- Which external low-pass filter circuit is used
- The layout of the low-pass filter.

The recommended external low-pass filter is shown in Fig.17. With this circuit the DACs performance is <-75 dB (THD + N)/S with a 1 kHz sine wave, measured over the bandwidth 20 Hz to 20 kHz. The amplifier in the low-pass filter circuit is the Class AB stereo headphone driver TDA1308.

The recommended DAC output format is non return-to-zero, this has a better signal-to-noise ratio than the return-to-zero format.



ISO/MPEG Audio Source Decoder

SAA2502

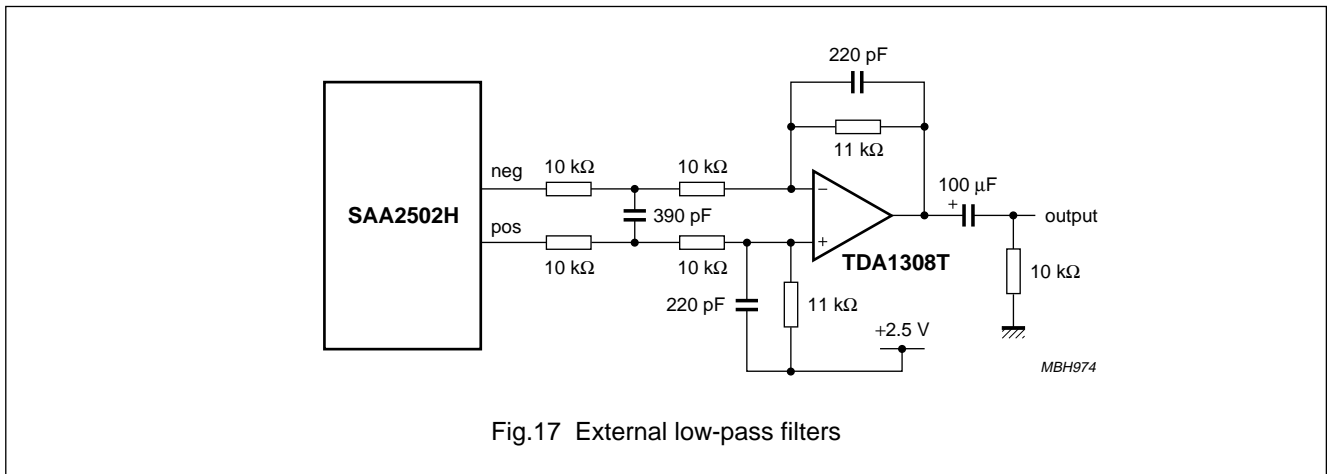


Fig.17 External low-pass filters

7.6 Control interface module

7.6.1 RESETTING

Table 18 Resetting is performed by 2 signals

SIGNAL	DIRECTION	FUNCTION
STOP	input	soft reset and stop decoding
RESET	input	hard reset: force default settings

A rising edge of the signal STOP triggers the next event. The decoding process is interrupted and the input buffer is flushed. Consequently audio frame synchronization is abandoned and the decoder starts searching for a new sync in the coded input data stream. In the meantime the output interface is soft muted (i.e. the output signal fades away in approximately 500 samples).

There are several other events that have the same effect as a rising edge of the STOP signal:

- Change of the current MPEG layer in the input stream
- Change of the current sampling frequency in the input stream
- Change of the current bit rate in the input stream (variable bit rate is NOT supported)
- Change of current input interface mode (INMOD1 and 0) and/or audio frame synchronization mode (SYM0D1 and 0) setting
- Enforcement of a soft reset through the control interface.

There is also a level triggered effect which remains provided STOP is asserted. When the STOPRQ control flag is set input data requesting will be halted, otherwise normal input interface behaviour will continue at the bit rate that was valid before STOP assertion but all data is

considered to be unreliable (as if CDEF were asserted). Consequently frame synchronization and decoding will not resume until STOP is de-asserted.

The hard reset signal RESET has the same effect as STOP but it will also force the control interface settings into their default states. RESET must stay high during at least 24 MCLKIN periods if MCLK24 = logic 1 or 12 MCLKIN periods if MCLK24 = logic 0.

7.6.2 INTERRUPTS

The SAA2502 is able to generate an interrupt upon the occurrence of one or more of the following events:

- Status bit DST0 has been set (i.e. ancillary/PAD data, frame headers and error report are available)
- Rising edge of STOP input signal
- MPEG CRC check failed
- Status bit INSYNC has been set
- Status bit INSYNC has been cleared.

For more information on these items see Sections 7.6.6.1 and 7.6.6.9.

Each of these interrupts sources may be enabled or disabled as required by the application. After a hard reset all interrupt sources are disabled. When the host processor is interrupted by the SAA2502 it should read the interrupt event register to find out which event or events caused the interrupt. Reading this register will also clear all pending interrupts.

The interrupt pin is active LOW (\overline{INT} = logic 0 indicates an interrupt) and it is of the 'open drain' type. Consequently it is allowed to 'wire OR' this pin with interrupt pins of the same type of other devices. For correct operation an external pull-up resistor should be provided.

ISO/MPEG Audio Source Decoder

SAA2502

7.6.3 MICROCONTROLLER INTERFACE

The microcontroller interface operates in one of two distinct modes of operation: L3 or I²C-bus. Mode setting is determined at initialization. The interface uses 3 signals. The function of these signals in the two modes is indicated in Table 19:

Typical advantages of the use of the L3 protocol are:

- High speed protocol (normally the speed of the microcontroller will be the limiting factor)
- The protocol may be implemented using microcontrollers featuring only standard I/O ports.

The implemented I²C-bus interface is of the 400 kbits/s, 7-bit address, EMC improved type. Typical advantages of the use of the I²C-bus protocol are:

- Standardized protocol which is implemented in hardware in many existing microcontrollers
- Good robustness against external disturbances on interconnecting lines
- May be applied in multi-master configurations.

The CDATA output driver is of the 'open drain' type in order to be compliant with the I²C-bus specification.

During a hard reset of the device, the microcontroller interface mode is determined. As a consequence, the interface cannot be used while the RESET signal is asserted.

Table 19 Bus modes

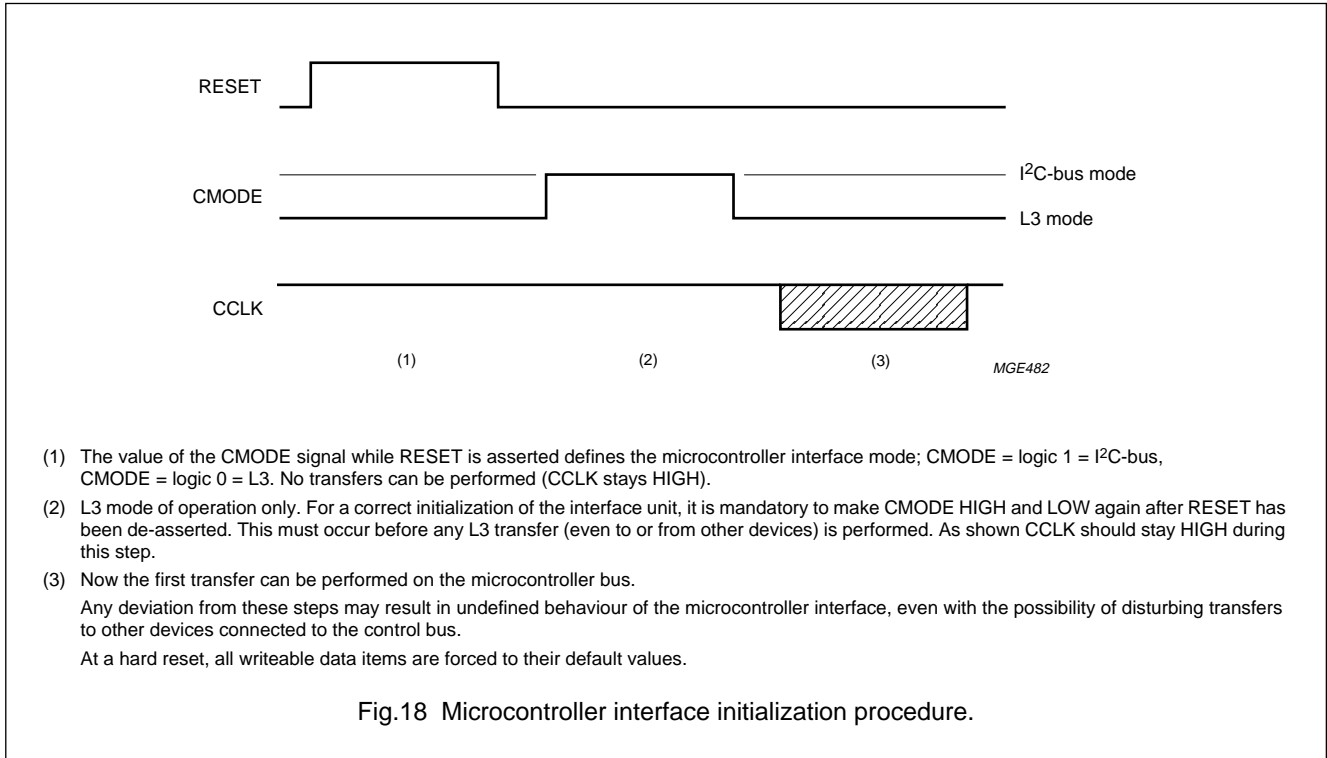
SIGNAL	L3 MODE	I ² C-BUS MODE	DIRECTION	DESCRIPTION
CDATA	L3DATA	SDA	input/output	microcontroller interface serial data
CCLK	L3CLK	SCK	input	microcontroller interface bit clock
CMODE	L3MODE	none	input	microcontroller interface mode select

7.6.4 INITIALIZATION

Mandatory actions that must be taken for correct microcontroller interface start-up at a hard reset (see Fig.18).

ISO/MPEG Audio Source Decoder

SAA2502



7.6.5 TRANSFER PROTOCOLS

7.6.5.1 L3 transfer protocol

The protocol enables writing of settings and reading of status and/or data. In this protocol, the host first issues a 6-bit wide 'device address' on CDATA while CMODE = logic 0. All devices connected to the bus read this address. Then data transfers to or from the host are carried out while CMODE = logic 1. All devices with a different device address must neglect these data transfers until the next address is issued. Only the device with an address equal to the issued device address performs the transfer.

Table 20 L3 device address.

BIT 7	BIT 6	BIT 5	BIT 4	BIT 3	BIT 2	BIT 1	BIT 0
0	1	1	0	0	0	DOM1 ⁽¹⁾	DOM0 ⁽¹⁾

Note

1. The 'Data Operation Mode' bits DOM1 and DOM0 define the current sub-mode of the control interface until the next time a device address is issued (see Table 21).

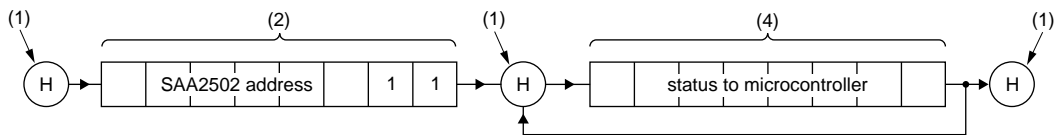
Table 21 DOM1 and DOM0 bits

DOM1	DOM0	FUNCTION
0	0	data (new local register contents) sent to the SAA2502
0	1	data (current local register contents) sent to the microcontroller
1	0	local register address sent to the SAA2502
1	1	short (1 byte) SAA2502 status report sent to the microcontroller

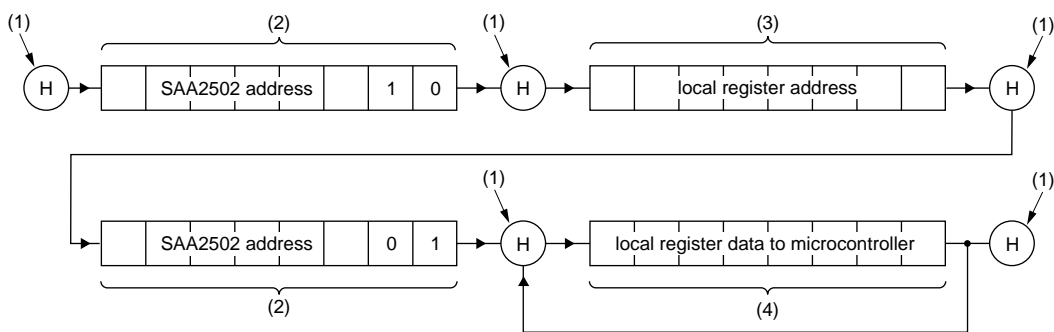
ISO/MPEG Audio Source Decoder

SAA2502

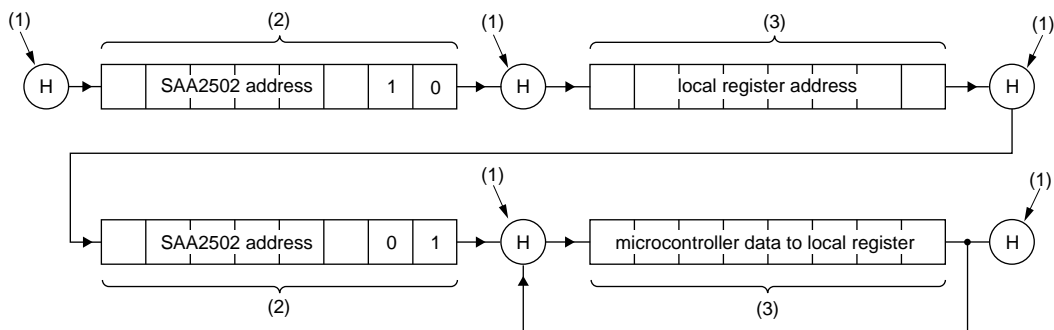
READ status



READ (block) data



WRITE (block) data



MGE483

- (1) Halt mode.
- (2) Addressing mode.
- (3) Data from microcontroller to SAA2502.
- (4) Data from SAA2502 to microcontroller.

Fig.19 L3 transfer protocol.

ISO/MPEG Audio Source Decoder

SAA2502

7.6.5.2 I²C-bus transfer protocol (see Fig.20)

The protocol enables reading of data and writing of settings. In this protocol, the host first issues a 7-bit wide 'device address' on CDATA immediately after the generation of a START condition. All devices connected to the bus read this address. Data transfers to or from the host are then carried out. All devices with a different device address must neglect these data transfers until the next address is issued. Only the device with an address equal to the issued device address performs the transfer.

Table 22 I²C-bus device address

BIT 7	BIT 6	BIT 5	BIT 4	BIT 3	BIT 2	BIT 1	BIT 0	-
0	0	1	1	1	0	1	R/W ⁽¹⁾	ACK ⁽²⁾

Notes

1. R/W determines the direction of the subsequent data transfer(s): logic 0 = write, data is sent to the SAA2502; logic 1 = read, data is sent to the microcontroller.
2. For further description of the acknowledge bit ACK consult the I²C-bus specification.

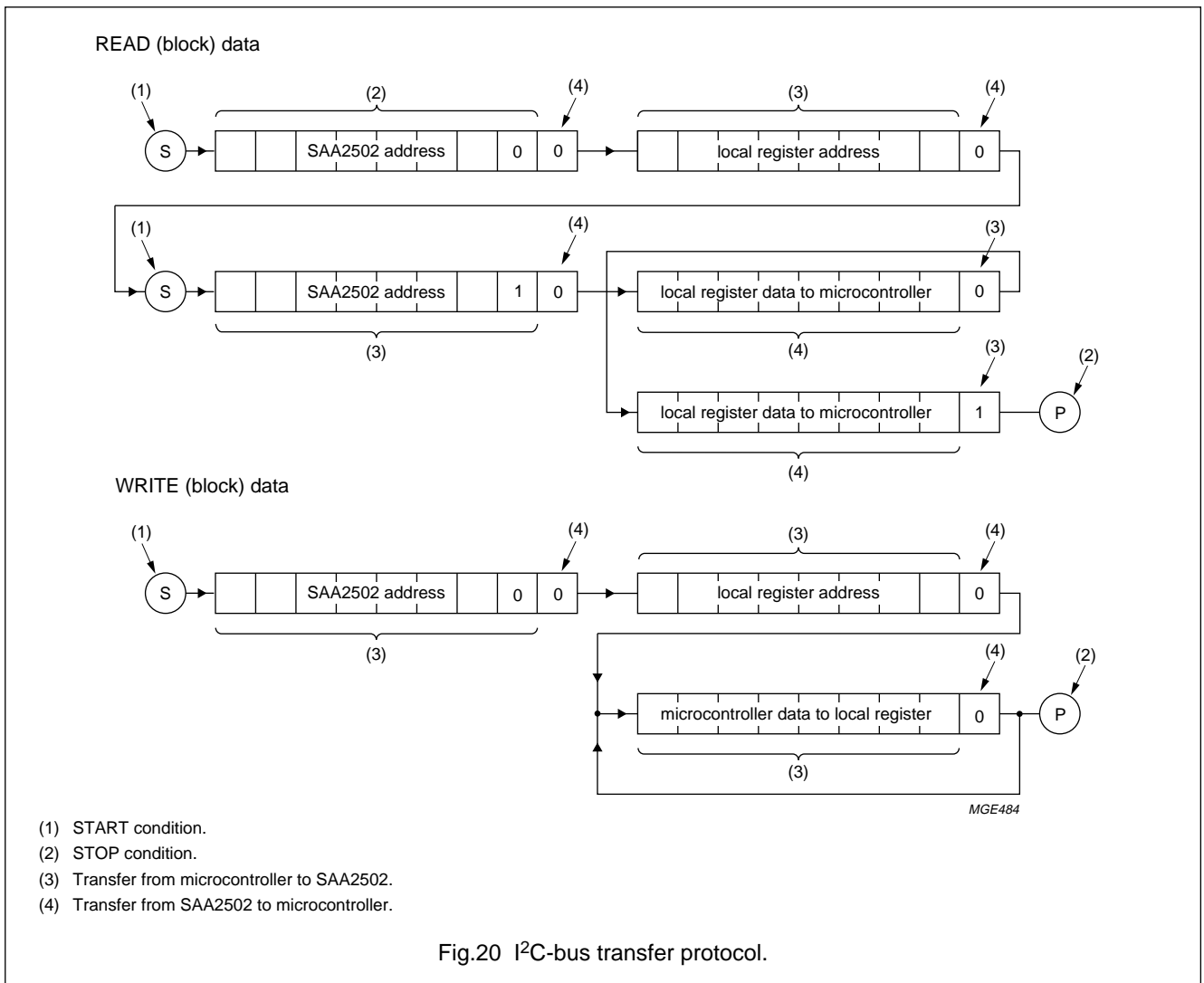


Fig.20 I²C-bus transfer protocol.

ISO/MPEG Audio Source Decoder

SAA2502

Data is transferred to or from the SAA2502 in local register units (1 byte). Local registers may be of readable and/or of writeable type. A local register transfer is initiated by writing the corresponding local register address. The local register unit content is then transferred.

7.6.5.3 Register block type

Some sets of local registers are organized in blocks. One local register address is assigned to a complete block. The local register block address points to the first local register of the block. Blocks may be accessed only sequentially by reading or writing successively to the individual members of the block. Reading or writing a restricted type block may be interrupted if desired by stopping at any location in the block. Transferring may then continue later via a new block operation using a special local address (provided that no other restricted type local SAA2502 address has been sent since). This special address is labelled 'continue block' (see Section 7.6.6.11).

The set of four APU registers is a special type that has an auto increment option. The local addresses of these registers are adjacent to each other. To save time there is an option to programme them in sequence, in one I²C-bus transmission.

After an initial local address (14H to 17H) the data for each APU coefficient follows in sequence, without the need for transmitting other local addresses. The auto increment will (if required) scroll round from the last local address (17H) back to the first local address (14H).

Only the APU registers have local addresses that provide the auto increment option.

Several individual registers store more than one byte of data. To program them, transmit their local address, followed by all the data bytes, in sequence.

7.6.5.4 Restricted type registers

Some local registers and/or local register blocks are of the so-called 'restricted type'. Access of such registers is subject to the following limitations:

- Transfer speed in L3 mode is limited to 800 kbits/s. There are no special speed limitations in I²C-bus mode other than the 400 kbits/s specification limit. Both maximum speeds are scaled down proportionally when the MCLK24 frequency is below maximum.
- Restricted registers should not be accessed more frequently than once per audio frame.

Section 7.6.6 describes the category of each local register/block.

7.6.6 LOCAL REGISTERS

7.6.6.1 Status

The host may check the SAA2502 status by reading the one byte status word. Reading status may be accomplished in two ways:

- Using the special read status protocol of the L3 mode
- Using the normal data exchange protocol.

The status byte read branch of the protocol may be looped an arbitrary number of times. If read is looped, status is updated between individual readings. The status bits are shown in Table 23.

Table 23 Status register: status is 1 byte (read-only, unrestricted type, local address = 1AH)

BIT 7	BIT 6	BIT 5	BIT 4	BIT 3	BIT 2	BIT 1	BIT 0
DST1	DST1	undefined	undefined	undefined	undefined	INSYNC	undefined

ISO/MPEG Audio Source Decoder

SAA2502

Table 24 Explanation of bits in Table 23

BIT	DESCRIPTION
DST1 and DST0	By interpreting DST1 and 0, the host can synchronize to the input frame frequency and also determine at which moment specific data items are available to be read. The value of DST1 and 0 is only valid if flag INSYNC is set.
DST1	This is a modulo 2 frame counter, i.e. DST1 inverts at the moment the decoding of a new frame is started. DST1 enables the host to sample the data items available flag DST0 less frequently, meanwhile enabling the host to see if it missed a state.
DST0	Bit indicates whether data items are available to be read; note 1: logic 0 indicates updating of data items is in progress (consequently they are invalid) logic 1 indicates ancillary (or PAD) data, frame headers and error report are valid.
INSYNC	Synchronization indication: logic 0 indicates not synchronized to input audio frame borders logic 1 indicates synchronized to input audio frame borders; note 2.

Notes

- DST0 values in general do not have a determined duration. However, DST0 = logic 1 lasts at least 0.4 frame period when MPEG layer I data is decoded, and 0.8 frame period when MPEG layer II data is decoded. Table 25 indicates the validity of the SAA2502 readable data items with respect to the decoding subprocess.
- Some of the readable local register bits only have significance if INSYNC is logic 1.

Table 25 Validity of the SAA2502 readable data items with respect to the decoding subprocess

DECODING FRAME n		DECODING FRAME n + 1	
DST1 = 0		DST1 = 1	
DST0 = 0	DST0 = 1	DST0 = 0	DST0 = 1
Not valid; note 1	ancillary data (frame n – 1)	not valid; note 1	ancillary data (frame n)
	frame headers (frame n)		frame headers (frame n + 1)
	error report (frame n)		error report (frame n+1)

Note

- Reading of a data item in a period when it is not valid renders undefined data

7.6.6.2 Clock generator control

Table 26 Clock generator control 1: 1 byte (write-only, unrestricted type, local address = 11H)

BIT 7	BIT 6	BIT 5	BIT 4	BIT 3	BIT 2	BIT 1	BIT 0
FSCINP	FSC384	FSCENA	N3b4	N3b3	N3b2	N3b1	N3b0

Table 27 Clock generator control 2: 1 byte (write-only, unrestricted type, local address = 12H)

BIT 7	BIT 6	BIT 5	BIT 4	BIT 3	BIT 2	BIT 1	BIT 0
N2b1	N2b0	N1b3	N1b2	N1b1	N1b0	PHSRVS	PHSMOD

ISO/MPEG Audio Source Decoder

SAA2502

Table 28 Explanation of bits in Tables 26 and 27

BIT	DESCRIPTION
FSCINP	external sample clock mode: logic 0 ⁽¹⁾ : internal sample clock mode (sample clock derived from MCLKIN and X22IN clock inputs) logic 1: external sample clock mode (FSCLKIN is sample clock input)
FSC384	external sample clock frequency indication: logic 0 ⁽¹⁾ : FSCLKIN is $256 \times f_s$ logic 1: FSCLKIN is $384 \times f_s$
FSCENA	FSCLK output enable flag: logic 0 ⁽¹⁾ : FSCLK output is disabled logic 1: FSCLK output is enabled
PHSMOD	phase detector mode of operation: logic 0 ⁽¹⁾ : edge triggered mode of operation logic 1: XOR mode of operation
PHSRVS	reversed phase detection: logic 0 ⁽¹⁾ : normal phase detection logic 1: reversed phase detection (characteristics mirrored with reference to vertical axis)
N1b3 to 0	code for N1 value: '0' ⁽¹⁾ N1 = 8; '1' N1 = 16; '2' N1 = 24; '3' N1 = 32; '4' N1 = 40; '5' N1 = 48; '6' N1 = 56; '7' N1 = 64
N2b1 to 0	code for N2 value: '0' ⁽¹⁾ N2 = 5; '1' N2 = 25; '2' N2 = 125; '3' N2 = 625
N3b4 to 0	N3 – 1; range 0 ⁽¹⁾ to 31 (N3 is 1 to 32)

Note

1. Default settings (settings value after a hard reset).

7.6.6.3 *Input and decoding control***Table 29** Input and decoding control: 1 byte (write-only, restricted type, local address = 33H)

BIT 7	BIT 6	BIT 5	BIT 4	BIT 3	BIT 2	BIT 1	BIT 0
SYM0D1	SYM0D0	INMOD1	INMOD0	STOPRQ	CRCACT	SELCH2	SFCRC

ISO/MPEG Audio Source Decoder

SAA2502

Table 30 Explanation of bits in Table 29

BIT	DESCRIPTION
SYM0D1 and SYM0D0	audio frame synchronization mode: 00 ⁽¹⁾ : general non-byte aligned frame synchronization 01: MPEG layer II non-byte aligned frame synchronization 10: byte aligned frame synchronization 11: sync pulse frame synchronization
INM0D1 and INM0D0	input interface mode of operation: 00 ⁽¹⁾ : master input mode for static bit rates 01: slave input mode for static bit rates 10: buffer controlled input mode for static bit rates 11: buffer controlled input mode for variable bit rates
STOPRQ	enable stop requesting flag: 0 ⁽¹⁾ : input requesting continues when STOP = logic 1 1: input requesting stops when STOP = logic 1
CRCAC T	CRC presence: 0 ⁽¹⁾ : protection bit in the MPEG frame header is used to determine CRC presence 1: CRC is assumed be present by definition (the protection bit is overruled)
SELCH2 ⁽²⁾	dual channel mode channel select (with other modes of input data = don't care): 0 ⁽¹⁾ : select channel I 1: select channel II
SFCRC	enable scale factor CRC protection: 0 ⁽¹⁾ : no scale factor protection 1: scale factor CRC protection enabled

Notes

1. Default settings (settings value after a hard reset).
2. The SAA2502 can only decode one of the dual channels, at a time. Both left and right audio outputs then play the selected channel.

Table 31 Sampling rate and bit rate: 1 byte (write-only, unrestricted type, local address = 1BH)

BIT 7	BIT 6	BIT 5	BIT 4	BIT 3	BIT 2	BIT 1	BIT 0
SFX2	SFX1	SFX0	BRX4	BRX3	BRX2	BRX1	BRX0

Table 32 Soft reset: 1 byte (write-only, unrestricted type, local address = 1EH)

BIT 7	BIT 6	BIT 5	BIT 4	BIT 3	BIT 2	BIT 1	BIT 0
0	0	0	0	0	0	0	0

ISO/MPEG Audio Source Decoder

SAA2502

Table 33 Sample frequency index setting

SFX2 to SFX0 ⁽¹⁾	SAMPLE FREQUENCY (kHz)
000	22.05
001	24
010	16
011	–
100	44.1 ⁽²⁾
101	48
110	32
111	–

Notes

1. Modification of SFX values is only possible while INSYNC = logic 0. Writing the sample rate control word while INSYNC = logic 1 will have no effect.
2. Default settings (settings value after a hard reset).

Table 34 Input bit rate index setting

BRX4 to BRX0 ⁽¹⁾	BIT RATE (kbits/s)
00000	–
00001	8
00010	16
00011	24
00100	32
00101	40
00110	48
00111	56
01000	–
01001	16
01010	32
01011	48
01100	64
01101	80
01110	96
01111	112
10000	128
10001	144
10010	160
10011	176
10100	192
10101	–
10110	224
10111	–
11000	256
11001	288
11010	320
11011	352
11100	384 ⁽²⁾
11101	416
11110	448
11111	–

Notes

1. Modification of BRX values is only possible while INSYNC = logic 0. Writing the bit rate control word while INSYNC = logic 1 will have no effect.
2. Default settings (settings value after a hard reset).

ISO/MPEG Audio Source Decoder

SAA2502

7.6.6.4 *Soft reset*

Writing to this local address has the same effect as a rising edge at the STOP input (pin 12).

7.6.6.5 *Dynamic range compression control***Table 35** DRC control registers: 4 bytes (read/write, restricted block type, local address = 20H)

SUBSEQUENT BYTES	7	6	5	4	3	2	1	0
Compression slope	CSLP7	CSLP6	CSLP5	CSLP4	CSLP3	CSLP2	CSLP1	CSLP0
Maximum compression	0	CMAx6	CMAx5	CMAx4	CMAx3	CMAx2	CMAx1	CMAx0
Compression offset	COFS7	COFS6	COFS5	COFS4	COFS3	COFS2	COFS1	COFS0
Release rate	0	0	0	CRRT4	CRRT3	CRRT2	CRRT1	CRRT0

Table 36 Explanation of bits in Table 35

BIT	DESCRIPTION
CSLP7 to CSLP0	compression slope range 0 ⁽¹⁾ to 255; unit = $\frac{1}{256}$ dB per dB
CMAx6 to CMAx0	maximum amplification range 0 ⁽¹⁾ to 127; unit = $\frac{3}{16}$ dB
COFS7 to COFS0	compression offset range 0 ⁽¹⁾ to 255; unit = $\frac{3}{16}$ dB
CRRT4 to CRRT0	release rate range 1 ⁽¹⁾ to 31; unit = $\frac{3}{256}$ dB per 384 samples

Note

1. Default settings (settings value after a hard reset).

7.6.6.6 *Output control*

The output interface is controlled by 4 local registers and a register block.

Table 37 Output control register: 1 byte (write-only, unrestricted type, local address = 10H)

BIT 7	BIT 6	BIT 5	BIT 4	BIT 3	BIT 2	BIT 1	BIT 0
SPDENA	I2SENA	ANAENA	ANARTZ	RND1	RND0	SPD_V	SPD_C

Table 38 SPDIF sf code 1: 1 byte (write-only, unrestricted type, local address = 18H)

BIT 7	BIT 6	BIT 5	BIT 4	BIT 3	BIT 2	BIT 1	BIT 0
22C3	22C2	22C1	22C0	24C3	24C2	24C1	24C0

Table 39 SPDIF sf code 2: 1 byte (write-only, unrestricted type, local address = 19H)

BIT 7	BIT 6	BIT 5	BIT 4	BIT 3	BIT 2	BIT 1	BIT 0
0	0	0	0	16C3	16C2	16C1	16C0

ISO/MPEG Audio Source Decoder

SAA2502

Table 40 SPDIF user byte: 1 byte (write-only, unrestricted type, local address = 1FH)

BIT 7	BIT 6	BIT 5	BIT 4	BIT 3	BIT 2	BIT 1	BIT 0
SPDU7	SPDU7	SPDU5	SPDU4	SPDU3	SPDU2	SPDU1	SPDU0

Table 41 Explanation of bits in Tables 37, 38, 39 and 40

BIT	DESCRIPTION
SPDENA	enable SPDIF output pin: logic 0 ⁽¹⁾ : SPDIF output pin is disabled logic 1: SPDIF output pin is enabled
I2SENA	enable I ² S output: logic 0 ⁽¹⁾ : I ² S output is disabled logic 1: I ² S output is enabled
ANAENA	enable analog output: logic 0: analog output is disabled logic 1 ⁽¹⁾ : analog output is enabled
ANARTZ	analog output return-to-zero mode: logic 0 ⁽¹⁾ : non return-to-zero mode; subsequent logic 1's in analog outputs are merged logic 1 ⁽²⁾ : return-to-zero mode; subsequent logic 1's in analog outputs are separated
RND1 and 0	I ² S and SPDIF output sample rounding control: 00 ⁽¹⁾ : output rounded to 16 bits 01: output rounded to 18 bits 10: output rounded to 20 bits 11: output rounded to 22 bits
SPD_V	value of validity flag (V bit) in SPDIF output format: logic 0 ⁽¹⁾ : valid logic 1: not valid
SPD_C	value of copy permission flag (C bit) in SPDIF output format: logic 0 ⁽¹⁾ : copy prohibited logic 1: copy permitted
22C3 to 22C0	SPDIF code used for 22.05 kHz sample frequency; default = 0100 ⁽¹⁾
24C3 to 24C0	SPDIF code used for 24 kHz sample frequency; default = 0110 ⁽¹⁾
16C3 to 16C0	SPDIF code used for 16 kHz sample frequency; default = 0111 ⁽¹⁾
SPDU7 to SPDU0	SPDIF user byte (content of byte is sent on SPDIF user channel); default = inactive ⁽¹⁾

Notes

1. Default settings (settings value after a hard reset).
2. ANARTZ = logic 1 is only allowed in internal sample clock mode; FSCINP = logic 0 in clock generator control word 1.

APU coefficients are set by writing their 8-bit indices to the 4-byte APU coefficient local register block. At a hard reset, indices LL and RR are set to 0 (no attenuation) and indices LR and RL to 255 (infinite attenuation; no crosstalk).

ISO/MPEG Audio Source Decoder

SAA2502

Table 42 APU coefficients: 4 bytes (read/write, unrestricted special block type)

SUBSEQUENT BYTES	BIT 7	BIT 6	BIT 5	BIT 4	BIT 3	BIT 2	BIT 1	BIT 0	LOCAL ADDRESS
APU coefficient LL	LL7	LL6	LL5	LL4	LL3	LL2	LL1	LL0	14H
APU coefficient LR	LR7	LR6	LR5	LR4	LR3	LR2	LR1	LR0	15H
APU coefficient RL	RL7	RL6	RL5	RL4	RL3	RL2	RL1	RL0	16H
APU coefficient RR	RR7	RR6	RR5	RR4	RR3	RR2	RR1	RR0	17H

Table 43 Explanation of bits in Table 42

BIT	DESCRIPTION
LL7 to LL0	left channel in to left channel out attenuation index range 0 ⁽¹⁾ to 255; see Fig.14
LR7 to LR0	left channel in to right channel out attenuation index range 0 to 255 ⁽¹⁾ ; see Fig.14
RL7 to RL0	right channel in to left channel out attenuation index range 0 to 255 ⁽¹⁾ ; see Fig.14
RR7 to RR0	right channel in to right channel out attenuation index range 0 ⁽¹⁾ to 255; see Fig.14

Note

1. Default settings (settings value after a hard reset).

The APU coefficient block type is a special one:

- Block accesses may start at any individual coefficient (each has its own local address)
- Block accesses may also extent past RR (the block access will wrap around to LL).

7.6.6.7 *Interrupt control*

Interrupt generation is controlled using two separate single byte local registers.

Table 44 Interrupt event register: 1 byte (read-only, unrestricted type, local address = 1EH)

BIT 7	BIT 6	BIT 5	BIT 4	BIT 3	BIT 2	BIT 1	BIT 0
undefined	undefined	undefined	DST0U	STOP	CRCERR	INSNC	NOSNC

The separate bits of the interrupt event register indicate the occurrence of the events shown in Table 44

ISO/MPEG Audio Source Decoder

SAA2502

Table 45 Explanation of bits in Table 44

BIT	DESCRIPTION
DST0U	DST0 has been set (valid ancillary/PAD data, headers and error report)
STOP	rising edge of STOP input signal
CRCERR	MPEG CRC check failed
INSNC	status bit INSYNC was set
NOSNC	status bit INSYNC was cleared logic 0 ⁽¹⁾ ; no interrupt for this event logic 1; interrupt for this event

Note

1. Default settings (settings value after a hard reset).

Table 46 Interrupt masking register: 1 byte (write-only, unrestricted type, local address = 1DH)

BIT 7	BIT 6	BIT 5	BIT 4	BIT 3	BIT 2	BIT 1	BIT 0
0	0	0	IMSK4	IMSK3	IMSK2	IMSK1	IMSK0

The individual bits of the interrupt masking register (Table 46) may mask the interrupt events at the same bit location in the interrupt event register (Table 44):

logic 0 (default setting, setting value after a hard reset); interrupt event is masked.

logic 1; interrupt event is not masked.

Masked interrupt are still flagged in the interrupt event register, they just do NOT have an effect on the INTRPT interrupt pin (thus polling of masked interrupts is possible).

ISO/MPEG Audio Source Decoder

SAA2502

7.6.6.8 Frame headers

Information about input data, derived by the SAA2502 from the input data frame headers, may be read from the frame header items. Both the frame header bytes decoded from the input bit stream and the header bytes used for the actual decoding may be read.

The decoded frame header item is valid independent of the value of status flag INSYNC. It shows, for example, the decoded headers while the SAA2502 is in the process of synchronizing.

The used frame header item is only valid if status flag INSYNC is set. The used header bytes are derived by the SAA2502 from the decoded header bytes by filling in known header fields (e.g. those that have a fixed value) and overruling detected errors.

Table 47 Decoded frame header: 3 bytes (read-only, restricted block type, local address = 21H)

SUBSEQUENT BYTES	BIT 7	BIT 6	BIT 5	BIT 4	BIT 3	BIT 2	BIT 1	BIT 0
Decoded header byte 1	SY3	SY2	SY1	SY0	ID	LAY1	LAY0	NOPR
Decoded header byte 2	BR3	BR2	BR1	BR0	FS1	FS0	undefined	undefined
Decoded header byte 3	MOD1	MOD0	MODX1	MODX0	COPR	ORIG	EMPH1 ⁽¹⁾	EMPH0 ⁽¹⁾

Note

1. The EMPH1 and EMPH0 bits may only be used to monitor the current de-emphasis indication. Corresponding de-emphasis is performed automatically before outputting the baseband audio signal.

Table 48 Used frame header: 3 bytes (read-only, restricted block type, local address = 22H)

SUBSEQUENT BYTES	BIT 7	BIT 6	BIT 5	BIT 4	BIT 3	BIT 2	BIT 1	BIT 0
Used header byte 1	1	1	1	1	ID	1	LAY0	NOPR
Used header byte 2	BR3	BR2	BR1	BR0	FS1	FS0	undefined	undefined
Used header byte 3	MOD1	MOD0	MODX1	MODX0	COPR	ORIG	EMPH1 ⁽¹⁾	EMPH0 ⁽¹⁾

Note

1. The EMPH1 and EMPH0 bits may only be used to monitor the current de-emphasis indication. Corresponding de-emphasis is performed automatically before outputting the baseband audio signal.

Table 49 Explanation of bits in Tables 47 and 48

BIT	DESCRIPTION
SY3 to SY0	last 4 bits of the synchronization word
ID	algorithm identification
LAY1 and LAY0	layer
NOPR	flag for CRC on header plus bit allocation plus scale factor select information
BR3 to BR0	bit rate index
FS1 and FS0	sample rate index
MOD1 and MOD0	mode
MODX1 and MODX0	mode extension
COPR	copyright flag
ORIG	original or home copy flag
EMPH1 and EMPH0	audio de-emphasis indication

ISO/MPEG Audio Source Decoder

SAA2502

7.6.6.9 Error report

The validity of bit allocation plus scale factor select information and the result of the scale factor CRCs (only when scale factor CRCs are enabled) may be read from the error report register. The error report is only valid when status flag INSYNC is set.

Table 50 Error report register: 1 byte (read-only, restricted type, local address = 24H)

BIT 7	BIT 6	BIT 5	BIT 4	BIT 3	BIT 2	BIT 1	BIT 0
BALOK	DECFM	undefined	undefined	SF3OK	SF2OK	SF1OK	SF0OK

Table 51 Explanation of bits in Table 50

BIT	DESCRIPTION
BALOK	bit allocation and scale factor select information validity indication: logic 0; bit allocation or scale factor select information are incorrect or the CRC over header plus bit allocation plus scale factor select information has failed logic 1; bit allocation and scale factor select information are correct and CRC over header plus bit allocation plus scale factor select information is correct or not active
DECFM	frame skipping or frame decoding indication: logic 0; current input data frame is skipped, and the corresponding baseband audio output frame is muted due to input data errors or inconsistencies; audio frame synchronization is maintained logic 1; current frame is decoded normally
SF3OK to SF0OK	scale factor CRCs not enabled; bits are invalid scale factor CRCs enabled: logic 0; one or more scale factors have been concealed in sub-band block 0 to 3 logic 1; no scale factor concealment in sub-band block 0 to 3 (CRC check was OK) block 0; sub-bands 0 to 3 block 1; sub-bands 4 to 7 block 2; sub-bands 8 to 15 block 3; sub-bands 16 to 31

ISO/MPEG Audio Source Decoder

SAA2502

7.6.6.10 Ancillary data and program associated data

With standard MPEG input data, the last 54 bytes of each frame, which may carry Ancillary Data (AD), are buffered by the SAA2502 to be read by the host. Subsequent ancillary data bytes are read in reversed order with respect to their order in the input data bit stream; the first item data byte is the last frame byte in the input bit stream. The ancillary data block of local registers is refilled for every frame. The host must either know or determine itself how many of the ancillary data bytes are valid per frame. The ancillary data block contains only valid data when status flag INSYNC is set.

Table 52 Ancillary data: 54 bytes (read-only, restricted block type, local address = 25H)

SUBSEQUENT BYTES	7	6	5	4	3	2	1	0
AD byte 1 to byte 54	bit 7	bit 6	bit 5	bit 4	bit 3	bit 2	bit 1	bit 0

Similarly when scale factor CRCs are enabled, the Fixed Program Associated Data (FPAD) and extended Program Associated Data (XPAD) bytes contained in each frame may be read, with the 2 FPAD bytes first, followed by maximum 52 XPAD bytes. Subsequent FPAD and XPAD bytes are read in reversed order with respect to their order in the input data bit stream; the first item data byte is the last PAD byte in the input bit stream. The host must determine itself how many of the XPAD bytes are valid per frame by interpretation of the FPAD content. The PAD data block contains only valid data when status flag INSYNC is set.

Table 53 XPAD plus FPAD: 54 bytes (read-only, restricted block type, local address = 25H)

SUBSEQUENT BYTES	7	6	5	4	3	2	1	0
FPAD bytes 1 and 2; XPAD byte 1 to byte 52	bit 7	bit 6	bit 5	bit 4	bit 3	bit 2	bit 1	bit 0

7.6.6.11 Continue block operation

Local address 00H is reserved for continuation of restricted type block operations. Whenever this local address is used, it will result in continuation of any restricted type block transfer at the point where it was interrupted (provided that no other restricted type SAA2502 transfer was carried out since).

ISO/MPEG Audio Source Decoder

SAA2502

8 APPENDIX**8.1 L3 interface specification**

8.1.1 INTRODUCTION

The main purpose of the interface definition is to define a protocol that allows for the transfer of control information and operational details between a microcontroller and a number of slave devices, at a rate that exceeds other common interfaces, but with a sufficient low complexity for application in consumer products. It should be clearly noted that the current interface definition is intended for use in a single apparatus, preferably restricted to a single printed circuit board.

The interface requires 3 signal lines (apart from a return 'ground') between the microcontroller and the slave devices (from this the name 'L3' is derived). These 3-lines are common to all ICs connected to the bus:

1. L3MODE
2. L3DATA
3. L3CLK.

L3MODE and L3CLK are always driven by the microcontroller, L3DATA is bidirectional:

Table 54 The 3-lines common to all ICs; L3MODE, L3CLK and L3DATA

SIGNAL	MICROCONTROLLER	SLAVE DEVICE
L3MODE ⁽¹⁾	output	input
L3CLK ⁽²⁾	output	input
L3DATA ⁽³⁾	output/input	input/output

Notes

1. L3MODE is used for the identification of the operation mode.
2. L3CLK is the bit clock to which the information transfer will be synchronized.
3. L3DATA will carry the information to be transferred.

All slave devices in the system can be addressed using a 6 bit address. This allows for up to 63 different slave devices, as the all '0' address is reserved for special purposes.

In operation 2 modes can be identified:

1. Addressing Mode (AM).

During addressing mode a single byte is sent by the microcontroller. This byte consists of 2 Data Operation Mode (DOM) bits and 6 Operational Address (OA) bits. Each of the slave devices evaluates the operational address. Only the device that has been issued the same operational address will become active during the following data mode. The operation to be executed during the data mode is indicated by the two data operation mode bits.

2. Data Mode (DM).

During data mode information is transferred between microcontroller and slave device. The transfer direction may be from microcontroller to slave ('write') or from slave to microcontroller ('read'). However, during one data mode the transfer direction can not change.

8.1.1.1 Addressing mode

In order to start an addressing mode the microcontroller will make the L3MODE line LOW. The L3CLK line is lowered 8 times during which the L3DATA line transfers 8 bits. The information is presented LSB first and remains stable during the LOW phase of the L3CLK signal. The addressing mode is ended by making the L3MODE line HIGH.

ISO/MPEG Audio Source Decoder

SAA2502

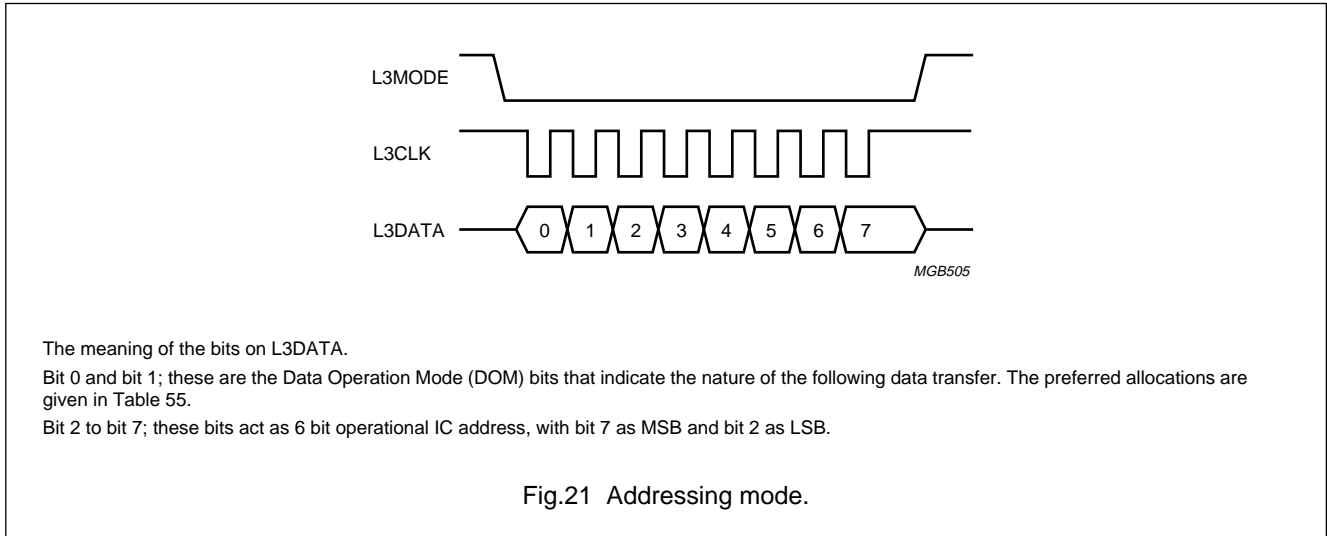


Fig.21 Addressing mode.

Table 55 Preferred allocations

DOM1	DOM0	FUNCTION	REMARKS
0	0	data from microcontroller to SAA2500	general purpose data transfer
0	1	data from SAA2500 to microcontroller	general purpose data transfer
1	0	control from microcontroller to SAA2500	register selection for data transfer
1	1	status from SAA2500 to microcontroller	short device status message

8.1.1.2 Data mode

In the data mode the microcontroller sends or receives information to or from the selected device. During data transfer the L3MODE line is HIGH. The L3CLK line is lowered 8 times during which the L3DATA line carries 8 bits. The information is presented LSB first and remains stable during the LOW phase of the L3CLK signal. The basic data transfer unit is an 8-bit byte. No other basic data transfer unit is allowed.

8.1.1.3 Halt mode

In between transfer units the L3MODE line will be driven LOW by the microcontroller to indicate the completion of a unit transfer. This is called 'Halt Mode' (HM). During halt mode the L3CLK line remains HIGH (to distinguish it from an addressing mode).

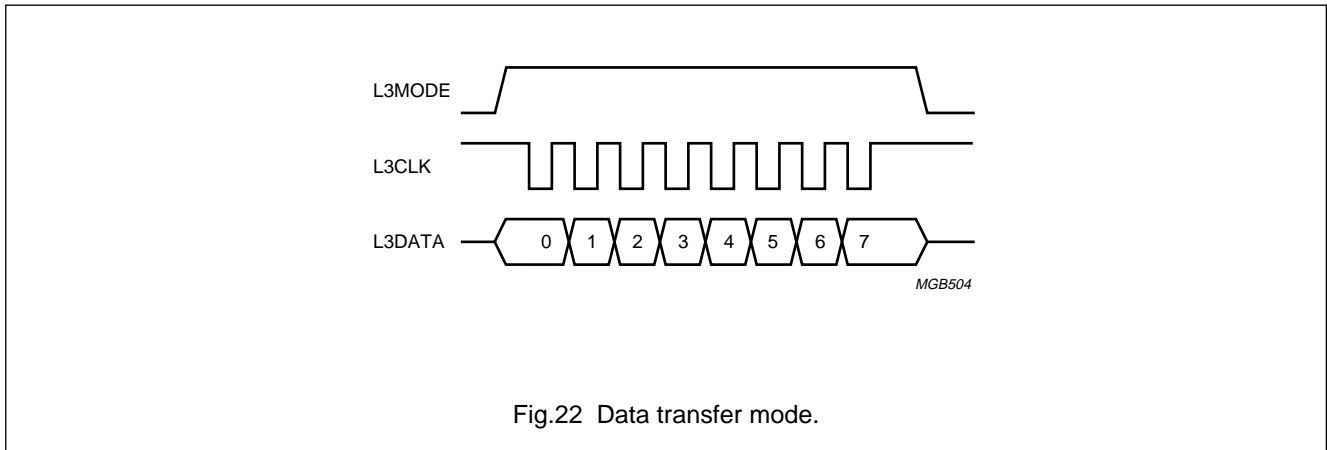


Fig.22 Data transfer mode.

ISO/MPEG Audio Source Decoder

SAA2502

8.1.2 EXAMPLE OF A DATA TRANSFER

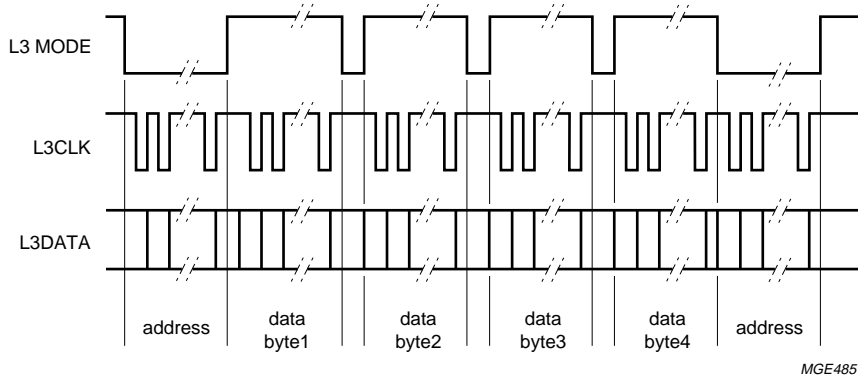


Fig.23 Example of transfer of 4 bytes.

A data transfer starts when the microcontroller sends an address on the bus. All ICs will evaluate this address, but only the IC addressed will be an active partner for the microcontroller in the following data transfer mode.

After the data transfer the microcontroller does not need to send a new address until a new data transfer is necessary.

During the data transfer mode bytes will be sent from or to the microcontroller. The L3MODE line is made LOW ('halt mode') in between byte transfers. Only bytes should be used as basic data transfer units.

8.1.3 TIMING REQUIREMENTS

These are requirements for the slave devices designed in accordance with the 'L3' interface definitions.

8.1.3.1 Addressing mode

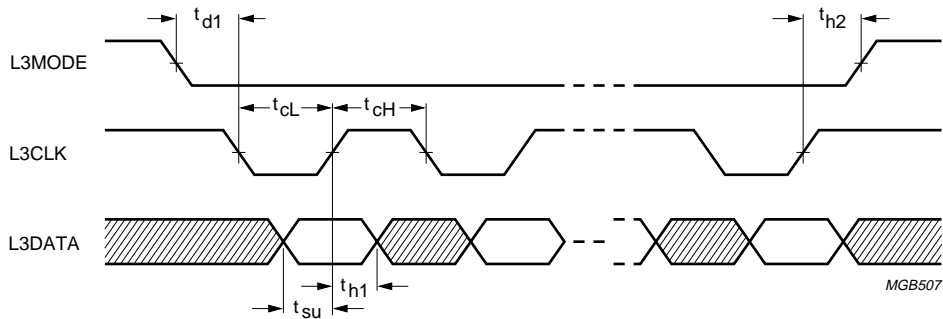


Fig.24 Timing (addressing mode).

ISO/MPEG Audio Source Decoder

SAA2502

8.1.3.2 Data transfer

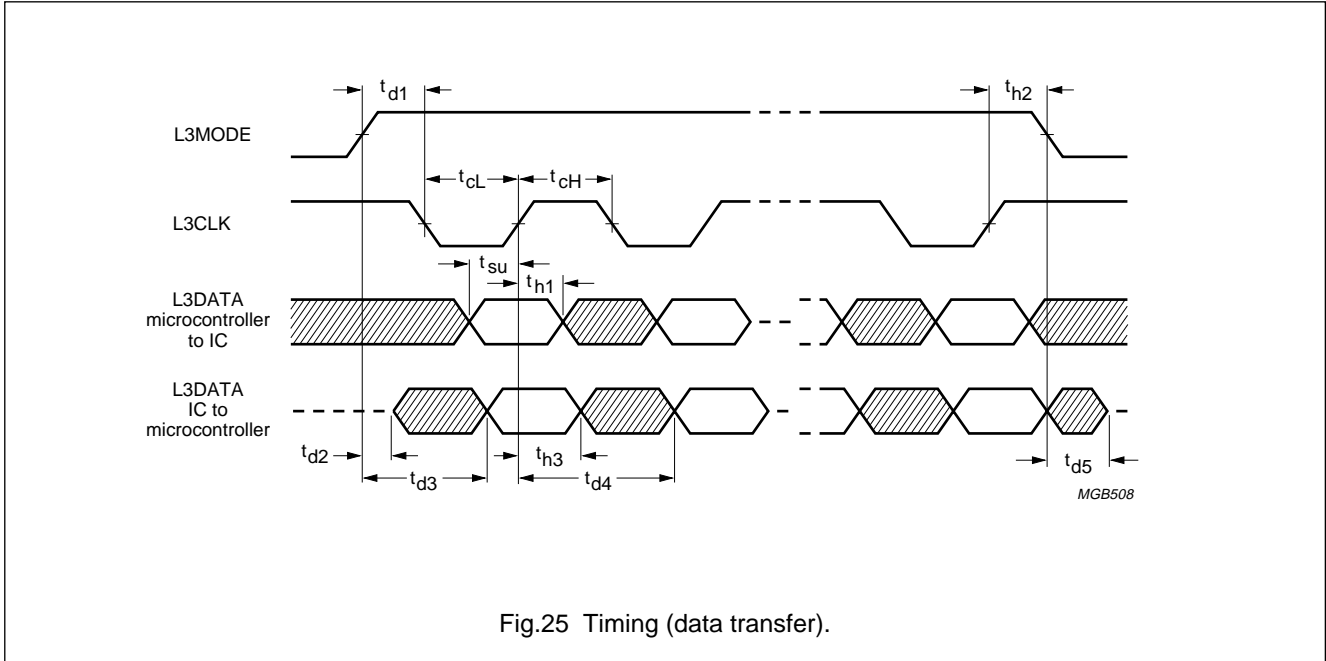


Fig.25 Timing (data transfer).

8.1.3.3 Halt mode

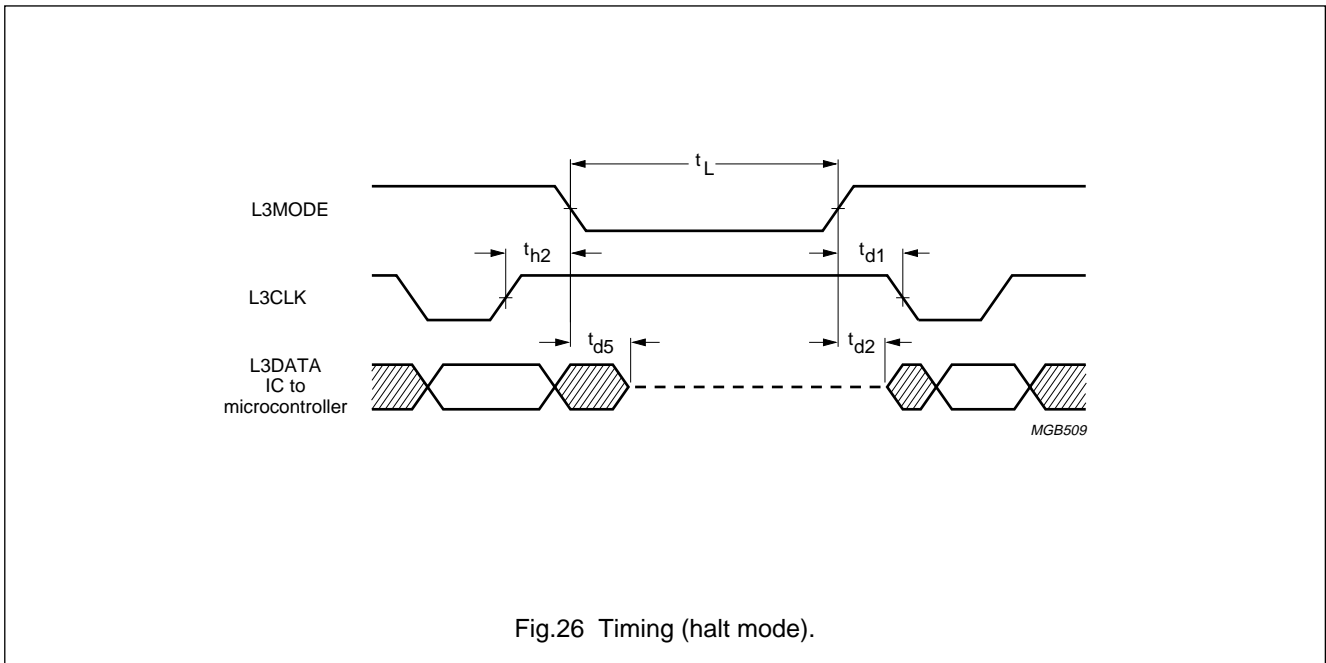


Fig.26 Timing (halt mode).

ISO/MPEG Audio Source Decoder

SAA2502

Table 56 Requirements for timing; note 1

SYMBOL	PARAMETER	MIN.	MAX.	UNIT
Microcontroller to slave device; note 2				
t_{cL}	L3CLK LOW time	$T + 10$	–	ns
t_{cH}	L3CLK HIGH time	$T + 10$	–	ns
t_{d1}	L3MODE set-up time before first L3CLK LOW	10	–	ns
t_{h1}	L3DATA hold time after L3CLK HIGH	10	–	ns
t_{h2}	L3MODE hold time after last L3CLK HIGH	15	–	ns
t_{su}	L3DATA set-up time before L3CLK HIGH	$T + 10$	–	ns
t_L	L3MODE LOW time	$T + 10$	–	ns
Slave device to microcontroller; note 2				
t_{d2}	L3MODE HIGH to L3DATA enabled time	0	20	ns
t_{d3}	L3MODE HIGH to L3DATA stable time	–	20	ns
t_{d4}	L3CLK HIGH to L3DATA stable time	–	$2T + 30$	ns
t_{d5}	L3MODE LOW to L3DATA disabled time	0	20	ns
t_{h3}	L3DATA hold time after L3CLK HIGH	T	–	ns

Notes

- L3DATA output timing is given with 0 pF external load (derating of maximum delay = 0.5 ns/pF). Maximum external L3DATA load = 50 pF.
- $T = 4 \times \text{MCLKIN cycle time}$ if MCLK24 = logic 1; $T = 2 \times \text{MCLKIN cycle time}$ if MCLK24 = logic 0.

8.1.4 TIMING

8.1.4.1 General ancillary data

If the last part of an audio frame is not occupied by encoded sub-band samples, it may be used to transfer any other data. Definition of size, format and meaning of this so called ancillary data is completely up to the application (there are no MPEG requirements). Non-byte aligned layer I coded input audio frames should however preferably not (always) end with a logic 1 valued bit. In practice there are two common ways to define the size of ancillary data:

- The number of ancillary data bytes per frame is fixed and known by the application.
- There is a fixed minimum size of the ancillary data block (usually this size is small; one or two bytes). The fixed part of the block then contains an indication of the actual size of the ancillary data block.

If room for ancillary data is present the content will be stored to be read by the microcontroller (up to a maximum of 54 bytes).

ISO/MPEG Audio Source Decoder

SAA2502

8.1.4.2 Ancillary data containing scale factor CRCs

If scale factor CRC protection is enabled, the required CRC values for each audio frame are carried among the ancillary data of the previous frame. This approach ensures MPEG compatibility for encoded streams with scale factor protection. The SAA2502 assumes the next ancillary data format when scale factor CRC protection is enabled:

- The last 2 bytes of each audio frame carry the minimum ancillary data. These two bytes are called FPAD (fixed program associated data) bytes. Definition of the content of FPAD is up to the application but should contain information on the length of the remainder of the ancillary data if that length is variable. FPAD bytes are stored to be read by the microcontroller.
- The byte before the FPAD bytes is called CRC0 and contains the scale factor CRC for sub-bands 0 to 3.
- The byte before CRC0 is called CRC1 and contains the scale factor CRC for sub-bands 4 to 7.
- An optional byte CRC2 may precede CRC1. It contains the scale factor CRC for sub-bands 8 to 15 and is present only for sub-band limits greater than 8.
- There may be an optional byte CRC3 before CRC2. It contains the scale factor CRC for sub-bands 16 to 31 and will be present only for sub-band limits greater than 16.
- Before the sub-band CRCs more ancillary data may be present. This extra ancillary data is called XPAD (extended program associated data). If XPAD is present it will be stored to be read by the microcontroller (up to a maximum of 52 bytes).

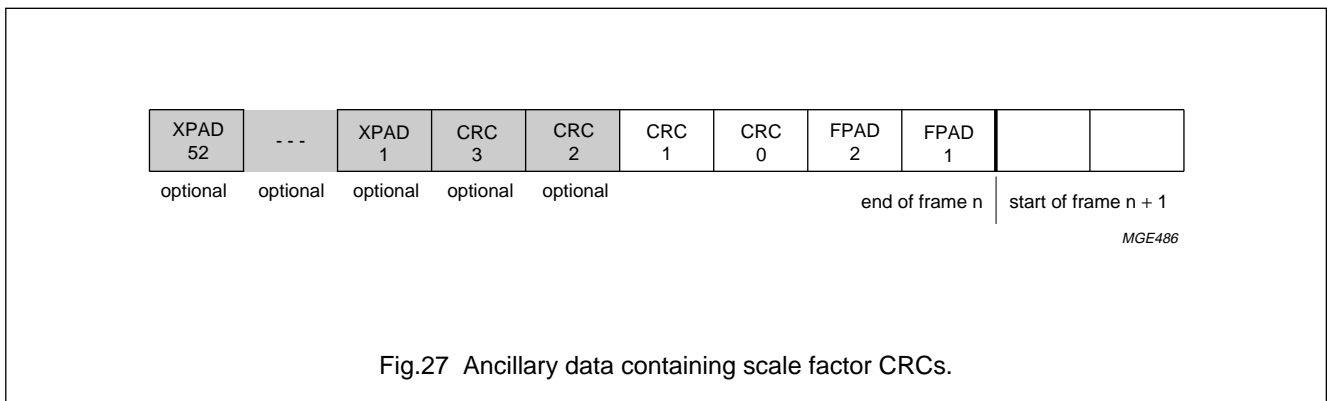


Fig.27 Ancillary data containing scale factor CRCs.

8.1.4.3 Boundary scan test provision

The SAA2502 contains a 5-pin interface for Boundary Scan Test (BST):

Table 57 Boundary scan test

SIGNAL	DIRECTION	FUNCTION
TDI	input	boundary scan test data input
TDO	output	boundary scan test data output
TMS	input	boundary scan test mode select
TCK	input	boundary scan test clock
TRST	input	boundary scan test reset

In normal use TRST must be LOW, TCK must be LOW or HIGH while TDI and TMS must be HIGH or not connected. Otherwise when any of these pins is used in a way not designed correctly for boundary scan test purposes in the application, damaging of the SAA2502 and/or the components surrounding it may occur.

ISO/MPEG Audio Source Decoder

SAA2502

Table 58 Boundary scan controller instructions

OPCODE	INSTRUCTION
Binary 000	ExTest
Binary 001	IDcode
Binary 010	sample
Binary 011	clamp
Binary 100	InTest
Binary 101	STCtest
Binary 110	undefined
Binary 111	bypass

Table 59 Boundary scan register definition

NUMBER	PORT	FUNCTION
1	FSCLK	output 2; note 1
2	SCK	output 2; note 1
3	SD	output 2; note 1
4	WS	output 2; note 1
5	SPDIF	output 2; note 1
6	TC0	input
7	TC1	input
8	FSCLKIN	input
9	REFCLK	input
10	X22IN	input
11	MCLK24	input
12	MCLKIN	input
13	PHDIF	output 3; note 2
14	PHDIF	control; note 3
15	$\overline{\text{INT}}$	open drain; note 4
16	RESET	input
17	STOP	input
18	CDRQ	output 2; note 1
19	CDEF	input
20	CDCL	input
21	CDCL	output 3; note 2
22	CDCL	control; note 3
23	CD	input
24	CDSY	input
25	CDVAL	input
26	CCLK	input
27	CDATA	input
28	CDATA	open drain; note 4
29	CDATA	control; note 3
30	CMODE	input

Notes

1. LOW or HIGH control of 2 state output.
2. LOW or HIGH control of 3 state output.
3. LOW or HIGH impedance control of 3 state output.
4. LOW or HIGH impedance control of open drain output.

ISO/MPEG Audio Source Decoder

SAA2502

8.1.4.4 Factory test scan chain provision

Table 60 Signals provided for factory test scan chain control

SIGNAL	DIRECTION	FUNCTION
TC0	input	factory test scan chain control 0
TC1	input	factory test scan chain control 1

In normal use factory test scan chain control pins must be not connected or kept LOW. If any of these pins are pulled HIGH in the application, damage to the SAA2502 and/or the surrounding components may occur.

8.1.4.5 Provision to read internal status

The following internal status information is made available for reading. It provides designers additional information on status and/or progress of internal processes. This information has no meaning for the application.

Table 61 Transcoder program counter register: 1 byte (read-only, unrestricted type, local address = 10H)

BIT 7	BIT 6	BIT 5	BIT 4	BIT 3	BIT 2	BIT 1	BIT 0
tPC11	tPC9	tPC8	tPC7	tPC6	tPC5	tPC4	tPC3

Table 62 Decoder program counter register: 1 byte (read-only, unrestricted type, local address = 11H)

BIT 7	BIT 6	BIT 5	BIT 4	BIT 3	BIT 2	BIT 1	BIT 0
tPC7	tPC6	tPC5	tPC4	tPC3	tPC2	tPC1	tPC0

Table 63 Transcoder flag register: 1 byte (read-only, unrestricted type, local address = 12H)

BIT 7	BIT 6	BIT 5	BIT 4	BIT 3	BIT 2	BIT 1	BIT 0
Undefined	tNSYNC	tORENB	tIRENB	tCRC16	tCRCF	tERRF	tSKF

Table 64 Transcoder and decoder branch conditions register: 1 byte (read-only, unrestricted type, local address = 13H)

BIT 7	BIT 6	BIT 5	BIT 4	BIT 3	BIT 2	BIT 1	BIT 0
dOFUL	dIRDY	dOREQ	tIEMT	tOREQ	tUPREQ	tIREQ	tPOR

ISO/MPEG Audio Source Decoder

SAA2502

9 LIMITING VALUES

In accordance with the Absolute Maximum Rating System (IEC 134).

SYMBOL	PARAMETER	CONDITIONS	MIN.	MAX.	UNIT
V_{DD}	supply voltage		-0.5	+6.5	V
V_i	input voltage	note 1	-0.5	$V_{DD} + 0.5$	V
I_{DD}	supply current		-	100	mA
I_{SS}	supply current		-	100	mA
I_i	input current		-10	+10	mA
I_o	output current		-20	+20	mA
P_{tot}	total power dissipation		-	163	mW
T_{stg}	storage temperature		-65	+150	°C
T_{amb}	operating ambient temperature		-40	+85	°C
V_{es}	electrostatic handling	note 2	-2000	+2000	V
		note 3	-200	+200	V

Notes

1. Input voltage should not exceed 6.5 V unless otherwise specified.
2. Equivalent to discharging a 100 pF capacitor through a 1.5 k Ω series resistor.
3. Equivalent to discharging a 200 pF capacitor through a 0 Ω series resistor.

ISO/MPEG Audio Source Decoder

SAA2502

10 DC CHARACTERISTICS

$V_{DD} = 4.5$ to 5.5 V; $T_{amb} = -40$ to $+85$ °C; unless otherwise specified.

SYMBOL	PARAMETER	CONDITIONS	MIN.	TYP.	MAX.	UNIT
Inputs						
V_{IH}	HIGH level input voltage (CMOS)	note 1	$0.7V_{DD}$	–	–	V
V_{IL}	LOW level input voltage (CMOS)	note 1	–	–	$0.3V_{DD}$	V
V_{IH}	HIGH level input voltage (TTL)	note 2	2	–	–	V
V_{IL}	LOW level input voltage (TTL)	note 2	–	–	0.8	V
V_{tLH}	rising edge threshold voltage (CMOS hysteresis)	note 3	–	–	$0.8V_{DD}$	V
V_{tHL}	falling edge threshold voltage (CMOS hysteresis)	note 3	$0.2V_{DD}$	–	–	V
V_{hys}	hysteresis voltage (CMOS hysteresis)		–	$0.3V_{DD}$	–	V
I_I	input current (all input types)		–5	–	+5	μ A
R_{pull}	pull-up or pull-down resistance		14	–	140	k Ω
Outputs						
V_{OH}	HIGH level output voltage	note 4	$V_{DD} - 0.5$	–	–	V
V_{OL}	LOW level output voltage	note 4	–	–	0.5	V
I_{LO}	leakage current of a disabled output		–	–	5	μ A

Notes

1. Only applies to pin 25 (FSCLKIN).
2. Boundary scan test inputs.
3. All inputs except for TC0, TC1, FSCLKIN, MCLKIN, X22IN, REFP and REFN.
4. DAC outputs $I_{OH} = 2$ mA. Typical DAC output impedance = 125 Ω .

ISO/MPEG Audio Source Decoder

SAA2502

11 AC CHARACTERISTICS

$V_{DD} = 4.5$ to 5.5 V; $T_{amb} = -40$ to $+85$ °C; unless otherwise specified.

SYMBOL	PARAMETER	CONDITIONS	MIN.	TYP.	MAX.	UNIT
Clock inputs						
MCLKIN						
T_{cy}	cycle time		40	–	–	ns
t_H	HIGH time		12	–	–	ns
t_L	LOW time		12	–	–	ns
X22IN						
T_{cy}	cycle time		44	–	–	ns
t_H	HIGH time		12	–	–	ns
t_L	LOW time		12	–	–	ns
FSCLKIN						
T_{cy}	cycle time		54	–	–	ns
t_H	HIGH time		12	–	–	ns
t_L	LOW time		12	–	–	ns
REFCLK						
T_{cy}	cycle time		33	–	–	ns
t_H	HIGH time		12	–	–	ns
t_L	LOW time		12	–	–	ns
CDCL						
T_{cy}	cycle time	note 1	$8 \times T$	–	–	ns
t_H	HIGH time	note 1	$T + 10$	–	–	ns
t_L	LOW time	note 1	$T + 10$	–	–	ns
Clock outputs						
FSCLK						
T_{cy}	cycle time		54	–	–	ns
t_H	HIGH time		10	–	–	ns
t_L	LOW time		10	–	–	ns
CDCL						
T_{cy}	cycle time	note 1	$8 \times T$	–	–	ns
t_H	HIGH time	note 1	$4 \times T - 10$	–	–	ns
t_L	LOW time	note 1	$4 \times T - 10$	–	–	ns
SCK						
T_{cy}	cycle time	note 2	$2 \times S$	–	–	ns
t_H	HIGH time	note 2	$S - 10$	–	–	ns
t_L	LOW time	note 2	$S - 10$	–	–	ns

ISO/MPEG Audio Source Decoder

SAA2502

SYMBOL	PARAMETER	CONDITIONS	MIN.	TYP.	MAX.	UNIT
Data inputs: CD, CDEF, CDSY, CDVAL, TDI and TMS						
t_{su}	set-up time					
	CD, CDEF, CDSY and CDVAL TDI and TMS	CDCL clock; note 3	42 50	– –	– –	ns ns
t_h	hold time CD, CDEF, CDSY and CDVAL	CDCL clock; note 3	0	–	–	ns
t_{su}	set-up time CD, CDEF, CDSY and CDVAL	CDCL clock; notes 1 and 4	T + 10	–	–	ns
t_h	hold time CD, CDEF, CDSY and CDVAL	CDCL clock; note 4	10	–	–	ns
t_H	TDI and TMS HIGH time		50	–	–	ns
Data outputs						
CDRQ						
t_{PD}	propagation delay time CDRQ	CDCL clock; note 5	–22	–	+10	ns
SD AND WS						
t_{PD}	propagation delay time SD and WS	SCK clock; note 5	–22	–	+10	ns
TDO						
t_{PD}	propagation delay time TDO	TCK clock; note 5	0	–	100	ns
Analog output performance; note 6						
THD + N	total harmonic distortion plus noise		–	–75	–	dB
DR	dynamic range		–	75	–	dB
α_{cs}	channel separation		–	–92	–	dB

Notes

- $T = 4 \times \text{MCLKIN cycle time}$ if MCLK24 = logic 1; $T = 2 \times \text{MCLKIN cycle time}$ if MCLK24 = logic 0.
- S is the audio sample time divided by 128.
 - Maximum external clock output load = 25 pF.
- When CDCL is output (input master mode or buffer controlled mode).
- When CDCL is input (input slave mode).
- A negative value of t_{PD} means that the output changes before the falling edge of the clock.
 - Propagation delay times are given with an external load of 0 pF.
 - Maximum external output load = 50 pF.
 - Output load derating of maximum propagation delay time is 0.5 ns per pF.
- Sample frequency = 44.1 kHz.

ISO/MPEG Audio Source Decoder

SAA2502

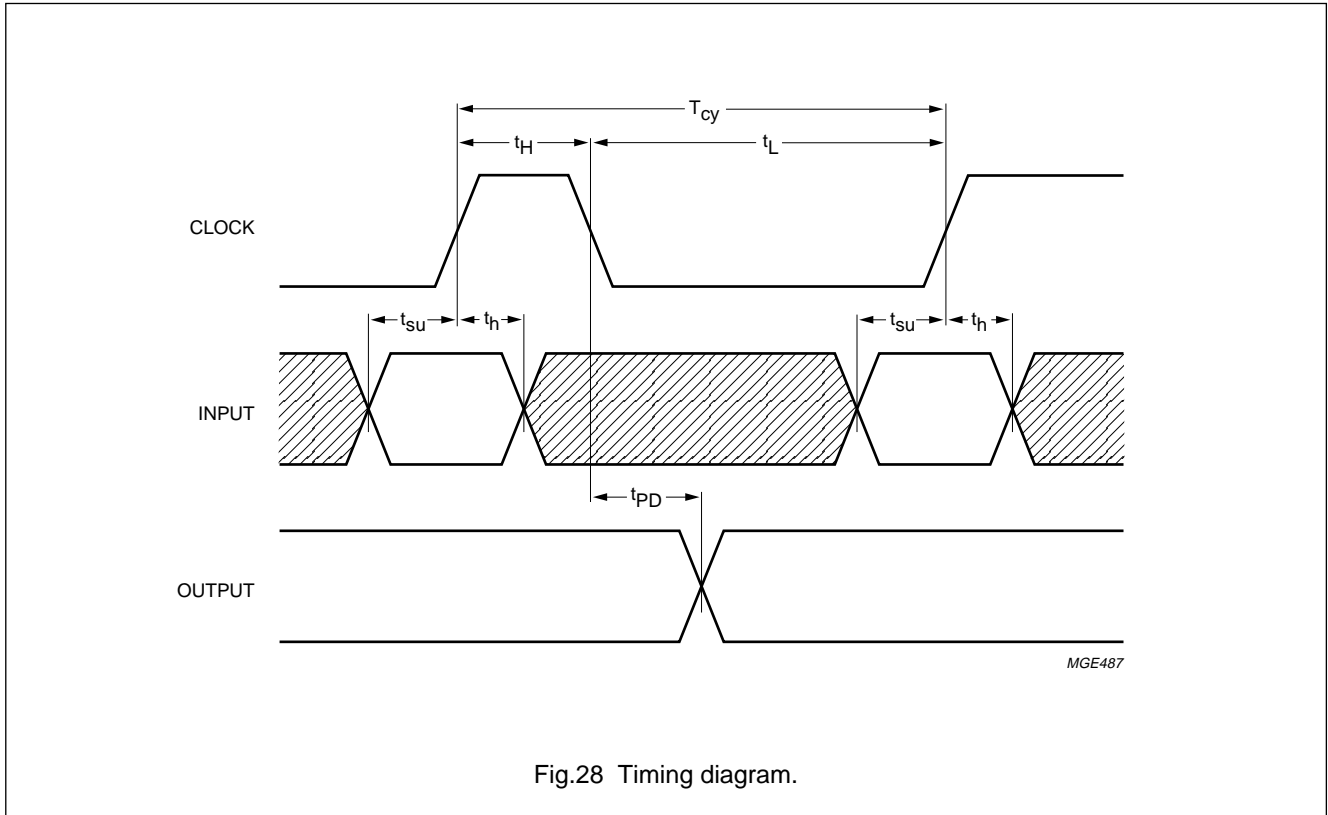


Fig.28 Timing diagram.

11.1 Host interface: CDATA, CCLK and CMODE

For L3 mode host interface timing information is detailed in the Section 8.1.

The I²C-bus mode host interface timing is master clock dependent, adherence to this specification is only guaranteed for the maximum MCLKIN frequency. If MCLKIN frequency is below maximum in principle all timing figures should be increased proportionally.

Table 65 Supported REFCLK frequencies

REFCLK (kHz)									
6	6.4	8	9.6	12	12.8	16	18	19.2	24
25.6	28.8	30	32	36	38.4	40	42	44.8	48
51.2	54	56	57.6	60	64	66	67.2	70.4	72
76.8	78	80	83.2	84	86.4	88	89.6	90	96
102	102.4	104	105.6	108	108.8	112	114	115.2	120
121.6	124.8	126	128	132	134.4	136	138	140.8	144
147.2	150	152	153.6	156	160	162	163.2	166.4	168
172.8	174	176	179.2	180	182.4	184	185.6	186	192
198.4	200	201.6	204	204.8	208	210	211.2	216	220.8
224	228	230.4	232	240	248	249.6	252	256	259.2
264	268.8	270	272	276	278.4	280	288	297.6	300
304	307.2	312	320	324	326.4	330	336	345.6	348

ISO/MPEG Audio Source Decoder

SAA2502

352	360	364.8	368	372	384	390	400	403.2	408
416	420	422.4	432	440	441.6	448	450	456	460.8
464	480	496	499.2	504	510	512	518.4	520	528
537.6	540	544	552	556.8	560	570	576	595.2	600
608	614.4	624	630	640	648	660	672	680	690
696	704	720	736	744	750	760	768	780	800
810	816	832	840	864	870	880	896	900	912
920	928	930	960	992	1000	1008	1020	1024	1040
1050	1056	1080	1104	1120	1140	1152	1160	1200	1240
1248	1260	1280	1296	1320	1344	1350	1360	1380	1392
1400	1440	1488	1500	1520	1536	1560	1600	1620	1632
1650	1680	1728	1740	1760	1800	1824	1840	1860	1920
1950	2000	2016	2040	2080	2100	2112	2160	2200	2208
2240	2250	2280	2304	2320	2400	2480	2496	2520	2550
2560	2592	2600	2640	2688	2700	2720	2760	2784	2800
2850	2880	2976	3000	3040	3072	3120	3150	3200	3240
3300	3360	3400	3450	3480	3520	3600	3680	3720	3750
3800	3840	3900	4000	4050	4080	4160	4200	4320	4350
4400	4480	4500	4560	4600	4640	4650	4800	4960	5000
5040	5100	5120	5200	5250	5280	5400	5520	5600	5700
5760	5800	6000	6200	6240	6300	6400	6480	6600	6720
6750	6800	6900	6960	7000	7200	7440	7500	7600	7680
7800	8000	8100	8160	8250	8400	8640	8700	8800	9000
9120	9200	9300	9600	9750	10000	10080	10200	10400	10500
10560	10800	11000	11040	11200	11250	11400	11520	11600	12000
12400	12480	12600	12750	12800	12960	13000	13200	13440	13500
13600	13800	13920	14000	14250	14400	14880	15000	15200	15360
15600	15750	16000	16200	16500	16800	17000	17250	17400	17600
18000	18400	18600	18750	19000	19200	19500	20000	20250	20400
20800	21000	21600	21750	22000	22400	22500	22800	23000	23200
23250	24000	24800	25000	25200	25500	25600	26000	26400	27000
27600	28000	28500	28800	29000	30000	–	–	–	–

ISO/MPEG Audio Source Decoder

SAA2502

12 APPLICATION INFORMATION

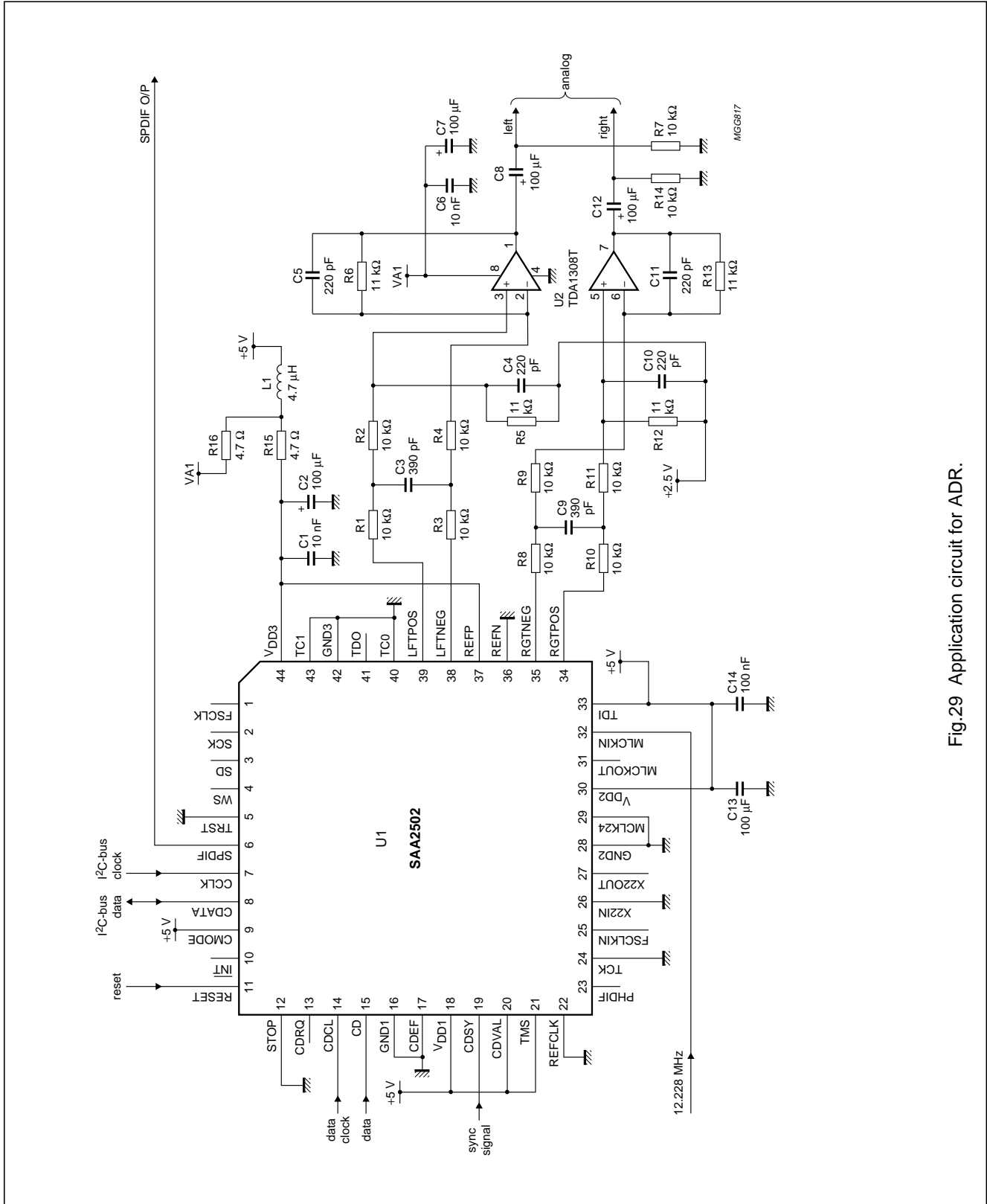


Fig.29 Application circuit for ADR.

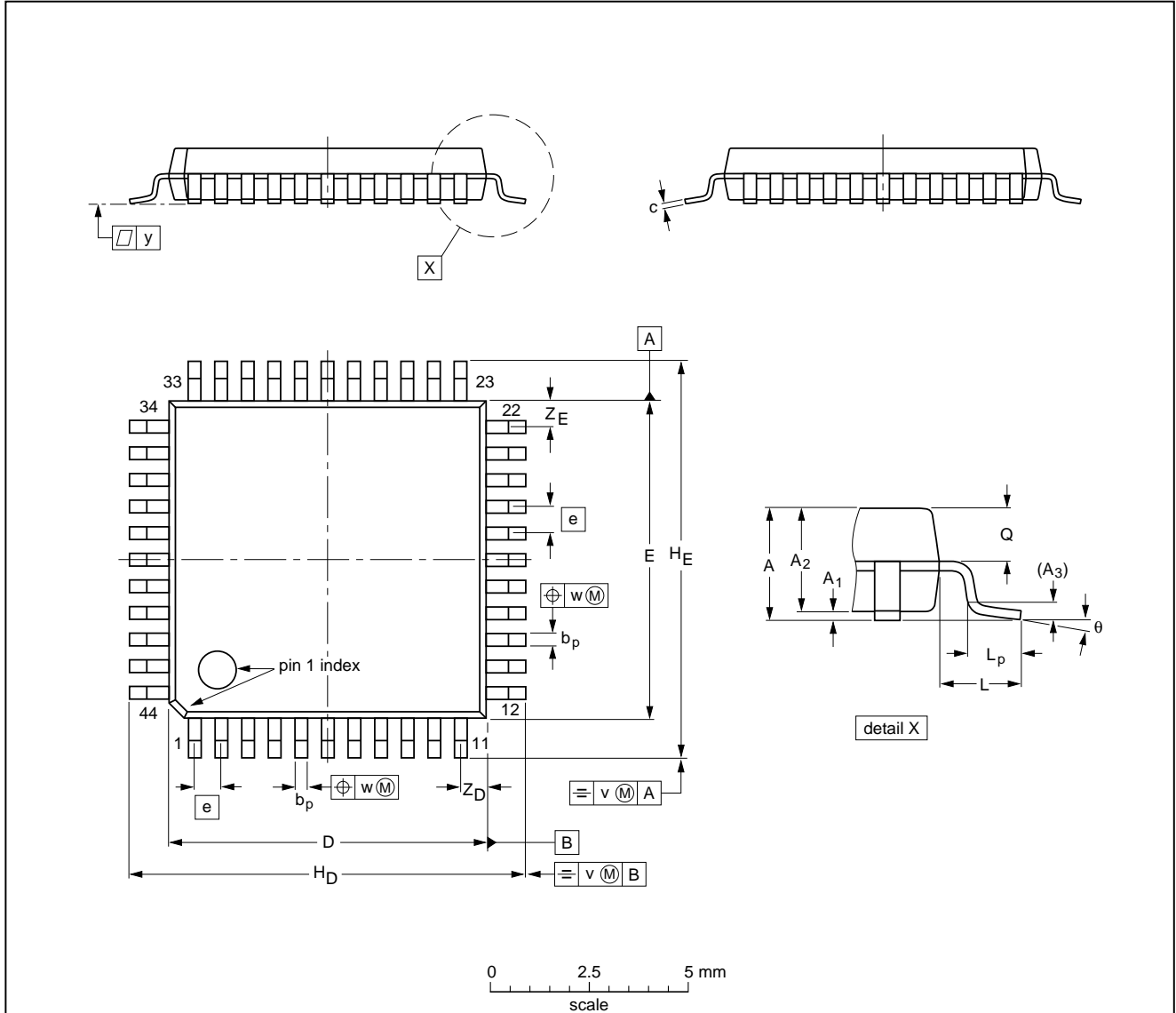
ISO/MPEG Audio Source Decoder

SAA2502

13 PACKAGE OUTLINE

QFP44: plastic quad flat package; 44 leads (lead length 1.3 mm); body 10 x 10 x 1.75 mm

SOT307-2



DIMENSIONS (mm are the original dimensions)

UNIT	A max.	A ₁	A ₂	A ₃	b _p	c	D ⁽¹⁾	E ⁽¹⁾	e	H _D	H _E	L	L _p	Q	v	w	y	Z _D ⁽¹⁾	Z _E ⁽¹⁾	θ
mm	2.10	0.25 0.05	1.85 1.65	0.25	0.40 0.20	0.25 0.14	10.1 9.9	10.1 9.9	0.8	12.9 12.3	12.9 12.3	1.3	0.95 0.55	0.85 0.75	0.15	0.15	0.1	1.2 0.8	1.2 0.8	10° 0°

Note

1. Plastic or metal protrusions of 0.25 mm maximum per side are not included.

OUTLINE VERSION	REFERENCES				EUROPEAN PROJECTION	ISSUE DATE
	IEC	JEDEC	EIAJ			
SOT307-2						92-11-17 95-02-04

ISO/MPEG Audio Source Decoder

SAA2502

14 SOLDERING**14.1 Introduction**

There is no soldering method that is ideal for all IC packages. Wave soldering is often preferred when through-hole and surface mounted components are mixed on one printed-circuit board. However, wave soldering is not always suitable for surface mounted ICs, or for printed-circuits with high population densities. In these situations reflow soldering is often used.

This text gives a very brief insight to a complex technology. A more in-depth account of soldering ICs can be found in our *"IC Package Databook"* (order code 9398 652 90011).

14.2 Reflow soldering

Reflow soldering techniques are suitable for all QFP packages.

The choice of heating method may be influenced by larger plastic QFP packages (44 leads, or more). If infrared or vapour phase heating is used and the large packages are not absolutely dry (less than 0.1% moisture content by weight), vaporization of the small amount of moisture in them can cause cracking of the plastic body. For more information, refer to the Drypack chapter in our *"Quality Reference Handbook"* (order code 9397 750 00192).

Reflow soldering requires solder paste (a suspension of fine solder particles, flux and binding agent) to be applied to the printed-circuit board by screen printing, stencilling or pressure-syringe dispensing before package placement.

Several techniques exist for reflowing; for example, thermal conduction by heated belt. Dwell times vary between 50 and 300 seconds depending on heating method. Typical reflow temperatures range from 215 to 250 °C.

Preheating is necessary to dry the paste and evaporate the binding agent. Preheating duration: 45 minutes at 45 °C.

14.3 Wave soldering

Wave soldering is **not** recommended for QFP packages. This is because of the likelihood of solder bridging due to closely-spaced leads and the possibility of incomplete solder penetration in multi-lead devices.

If wave soldering cannot be avoided, the following conditions must be observed:

- **A double-wave (a turbulent wave with high upward pressure followed by a smooth laminar wave) soldering technique should be used.**
- **The footprint must be at an angle of 45° to the board direction and must incorporate solder thieves downstream and at the side corners.**

Even with these conditions, do not consider wave soldering the following packages: QFP52 (SOT379-1), QFP100 (SOT317-1), QFP100 (SOT317-2), QFP100 (SOT382-1) or QFP160 (SOT322-1).

During placement and before soldering, the package must be fixed with a droplet of adhesive. The adhesive can be applied by screen printing, pin transfer or syringe dispensing. The package can be soldered after the adhesive is cured.

Maximum permissible solder temperature is 260 °C, and maximum duration of package immersion in solder is 10 seconds, if cooled to less than 150 °C within 6 seconds. Typical dwell time is 4 seconds at 250 °C.

A mildly-activated flux will eliminate the need for removal of corrosive residues in most applications.

14.4 Repairing soldered joints

Fix the component by first soldering two diagonally-opposite end leads. Use only a low voltage soldering iron (less than 24 V) applied to the flat part of the lead. Contact time must be limited to 10 seconds at up to 300 °C. When using a dedicated tool, all other leads can be soldered in one operation within 2 to 5 seconds between 270 and 320 °C.

ISO/MPEG Audio Source Decoder

SAA2502

15 DEFINITIONS

Data sheet status	
Objective specification	This data sheet contains target or goal specifications for product development.
Preliminary specification	This data sheet contains preliminary data; supplementary data may be published later.
Product specification	This data sheet contains final product specifications.
Limiting values	
Limiting values given are in accordance with the Absolute Maximum Rating System (IEC 134). Stress above one or more of the limiting values may cause permanent damage to the device. These are stress ratings only and operation of the device at these or at any other conditions above those given in the Characteristics sections of the specification is not implied. Exposure to limiting values for extended periods may affect device reliability.	
Application information	
Where application information is given, it is advisory and does not form part of the specification.	

16 LIFE SUPPORT APPLICATIONS

These products are not designed for use in life support appliances, devices, or systems where malfunction of these products can reasonably be expected to result in personal injury. Philips customers using or selling these products for use in such applications do so at their own risk and agree to fully indemnify Philips for any damages resulting from such improper use or sale.

ISO/MPEG Audio Source Decoder

SAA2502

NOTES

ISO/MPEG Audio Source Decoder

SAA2502

NOTES

Philips Semiconductors – a worldwide company

Argentina: see South America

Australia: 34 Waterloo Road, NORTH RYDE, NSW 2113,
Tel. +61 2 9805 4455, Fax. +61 2 9805 4466

Austria: Computerstr. 6, A-1101 WIEN, P.O. Box 213,
Tel. +43 1 60 101, Fax. +43 1 60 101 1210

Belarus: Hotel Minsk Business Center, Bld. 3, r. 1211, Volodarski Str. 6,
220050 MINSK, Tel. +375 172 200 733, Fax. +375 172 200 773

Belgium: see The Netherlands

Brazil: see South America

Bulgaria: Philips Bulgaria Ltd., Energoproject, 15th floor,
51 James Bourchier Blvd., 1407 SOFIA,
Tel. +359 2 689 211, Fax. +359 2 689 102

Canada: PHILIPS SEMICONDUCTORS/COMPONENTS,
Tel. +1 800 234 7381

China/Hong Kong: 501 Hong Kong Industrial Technology Centre,
72 Tat Chee Avenue, Kowloon Tong, HONG KONG,
Tel. +852 2319 7888, Fax. +852 2319 7700

Colombia: see South America

Czech Republic: see Austria

Denmark: Prags Boulevard 80, PB 1919, DK-2300 COPENHAGEN S,
Tel. +45 32 88 2636, Fax. +45 31 57 0044

Finland: Sinikalliontie 3, FIN-02630 ESPOO,
Tel. +358 9 615800, Fax. +358 9 61580920

France: 4 Rue du Port-aux-Vins, BP317, 92156 SURESNES Cedex,
Tel. +33 1 40 99 6161, Fax. +33 1 40 99 6427

Germany: Hammerbrookstraße 69, D-20097 HAMBURG,
Tel. +49 40 23 53 60, Fax. +49 40 23 536 300

Greece: No. 15, 25th March Street, GR 17778 TAVROS/ATHENS,
Tel. +30 1 4894 339/239, Fax. +30 1 4814 240

Hungary: see Austria

India: Philips INDIA Ltd, Shivsagar Estate, A Block, Dr. Annie Besant Rd.
Worli, MUMBAI 400 018, Tel. +91 22 4938 541, Fax. +91 22 4938 722

Indonesia: see Singapore

Ireland: Newstead, Clonskeagh, DUBLIN 14,
Tel. +353 1 7640 000, Fax. +353 1 7640 200

Israel: RAPAC Electronics, 7 Kehilat Saloniki St, PO Box 18053,
TEL AVIV 61180, Tel. +972 3 645 0444, Fax. +972 3 649 1007

Italy: PHILIPS SEMICONDUCTORS, Piazza IV Novembre 3,
20124 MILANO, Tel. +39 2 6752 2531, Fax. +39 2 6752 2557

Japan: Philips Bldg 13-37, Kohnan 2-chome, Minato-ku, TOKYO 108,
Tel. +81 3 3740 5130, Fax. +81 3 3740 5077

Korea: Philips House, 260-199 Itaewon-dong, Yongsan-ku, SEOUL,
Tel. +82 2 709 1412, Fax. +82 2 709 1415

Malaysia: No. 76 Jalan Universiti, 46200 PETALING JAYA, SELANGOR,
Tel. +60 3 750 5214, Fax. +60 3 757 4880

Mexico: 5900 Gateway East, Suite 200, EL PASO, TEXAS 79905,
Tel. +9-5 800 234 7381

Middle East: see Italy

Netherlands: Postbus 90050, 5600 PB EINDHOVEN, Bldg. VB,
Tel. +31 40 27 82785, Fax. +31 40 27 88399

New Zealand: 2 Wagener Place, C.P.O. Box 1041, AUCKLAND,
Tel. +64 9 849 4160, Fax. +64 9 849 7811

Norway: Box 1, Manglerud 0612, OSLO,
Tel. +47 22 74 8000, Fax. +47 22 74 8341

Philippines: Philips Semiconductors Philippines Inc.,
106 Valero St. Salcedo Village, P.O. Box 2108 MCC, MAKATI,
Metro MANILA, Tel. +63 2 816 6380, Fax. +63 2 817 3474

Poland: Ul. Lukiska 10, PL 04-123 WARSZAWA,
Tel. +48 22 612 2831, Fax. +48 22 612 2327

Portugal: see Spain

Romania: see Italy

Russia: Philips Russia, Ul. Usatcheva 35A, 119048 MOSCOW,
Tel. +7 095 755 6918, Fax. +7 095 755 6919

Singapore: Lorong 1, Toa Payoh, SINGAPORE 1231,
Tel. +65 350 2538, Fax. +65 251 6500

Slovakia: see Austria

Slovenia: see Italy

South Africa: S.A. PHILIPS Pty Ltd., 195-215 Main Road Martindale,
2092 JOHANNESBURG, P.O. Box 7430 Johannesburg 2000,
Tel. +27 11 470 5911, Fax. +27 11 470 5494

South America: Rua do Rocio 220, 5th floor, Suite 51,
04552-903 São Paulo, SÃO PAULO - SP, Brazil,
Tel. +55 11 821 2333, Fax. +55 11 829 1849

Spain: Balmes 22, 08007 BARCELONA,
Tel. +34 3 301 6312, Fax. +34 3 301 4107

Sweden: Kottbygatan 7, Akalla, S-16485 STOCKHOLM,
Tel. +46 8 632 2000, Fax. +46 8 632 2745

Switzerland: Allmendstrasse 140, CH-8027 ZÜRICH,
Tel. +41 1 488 2686, Fax. +41 1 481 7730

Taiwan: Philips Semiconductors, 6F, No. 96, Chien Kuo N. Rd., Sec. 1,
TAIPEI, Taiwan Tel. +886 2 2134 2865, Fax. +886 2 2134 2874

Thailand: PHILIPS ELECTRONICS (THAILAND) Ltd.,
209/2 Sanpavuth-Bangna Road Prakanong, BANGKOK 10260,
Tel. +66 2 745 4090, Fax. +66 2 398 0793

Turkey: Talatpasa Cad. No. 5, 80640 GÜLTEPE/ISTANBUL,
Tel. +90 212 279 2770, Fax. +90 212 282 6707

Ukraine: PHILIPS UKRAINE, 4 Patrice Lumumba str., Building B, Floor 7,
252042 KIEV, Tel. +380 44 264 2776, Fax. +380 44 268 0461

United Kingdom: Philips Semiconductors Ltd., 276 Bath Road, Hayes,
MIDDLESEX UB3 5BX, Tel. +44 181 730 5000, Fax. +44 181 754 8421

United States: 811 East Arques Avenue, SUNNYVALE, CA 94088-3409,
Tel. +1 800 234 7381

Uruguay: see South America

Vietnam: see Singapore

Yugoslavia: PHILIPS, Trg N. Pasica 5/v, 11000 BEOGRAD,
Tel. +381 11 625 344, Fax. +381 11 635 777

For all other countries apply to: Philips Semiconductors, Marketing & Sales Communications,
Building BE-p, P.O. Box 218, 5600 MD EINDHOVEN, The Netherlands, Fax. +31 40 27 24825

Internet: <http://www.semiconductors.philips.com>

© Philips Electronics N.V. 1997

SCA54

All rights are reserved. Reproduction in whole or in part is prohibited without the prior written consent of the copyright owner.

The information presented in this document does not form part of any quotation or contract, is believed to be accurate and reliable and may be changed without notice. No liability will be accepted by the publisher for any consequence of its use. Publication thereof does not convey nor imply any license under patent- or other industrial or intellectual property rights.

Printed in The Netherlands

547027/1200/01/pp64

Date of release: 1997 Apr 18

Document order number: 9397 750 02213

Let's make things better.

**Philips
Semiconductors**



PHILIPS